

July 2020

AceroTM

On these shores since 1884

H SERIES
Stainless Steel Shower Tray System
For Two Sided Showers

Specification And Installation
Guide

For **Kāinga Ora** Installations



Contents

Product Description	3
Intended Uses	3
Compliance	3
Series Range and Dimensions	3
Esi-Clean Trap.....	4
Wall Linings.....	4
Tray Configurations and Product codes.....	5
Installation	6 -11
Handling	12
Care and Maintenance	12
Product Warranty	12

Product Description

The Acero H Series Stainless Steel Shower Tray System is an attractive, one piece, simple to install shower tray system especially designed to offer a robust, water tight system which can be incorporated with a variety of shower wall linings to suit.

The Acero H Series System is designed and manufactured in New Zealand and is pressed from high quality .9mm, polished 304 Stainless steel and is supplied with a polystyrene base and available supplied with an "Esi-Clean Trap" which is welded in place so that there is no reliance on sealants.

Intended Uses

While designed and manufactured to meet the specific requirements of Kainga Ora, the Acero H Series System is suitable for use in most residential and commercial situations for shower enclosure installations.

The Acero system is suitable for use with most impervious rigid wall linings intended for shower linings. The specifier or installer should verify suitability of wall linings with the lining manufacturer.

Compliance

All materials incorporated in and around the system must meet the requirements of the New Zealand building code.

All floor and wall framing must meet or exceed the requirements of NZS 3604 and be in accordance with the requirements of the NZBC including: Clause B1 Structure, B2 Durability and associated standards.

All flooring, wall linings and finishing, under and surrounding the shower installation must meet or exceed the requirements of Clause E3 of the NZBC and the acceptable solutions E3/AS1 and any associated New Zealand Standards such as NZS 3602.

Installation must be carried out by a suitably qualified person or licensed building practitioner (LBP) who is licensed to carry out such work and comply with the requirements of the NZBC.

Installation must be in accordance with the installation method and instructions in this publication.

The Acero H Series System is Designed and manufactured to meet the requirements of AS 3588

The Esi-Clean Trap connection must be carried out by a suitably qualified person and in accordance with the NZBC.

Esi-Clean Trap

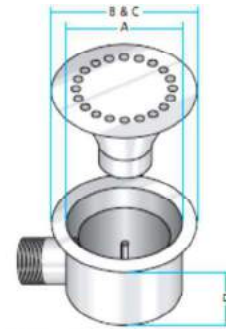
Acero H Series Shower trays are supplied with Esi-Clean Traps which are welded in place as part of the shower tray unit. This eliminates the need for fitting on site and the reliance on sealants.

The Esi-Clean traps are available in both bottom exit and side exit to suit most situations.

The connection of the Esi-Clean Trap must be carried out by a registered plumber.

For technical information regarding Esi-Clean Traps contact KDT (NZ) Ltd +64 7 863 8008

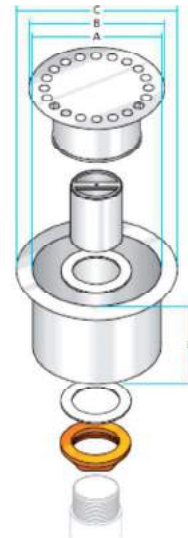
Side Exit Trap Code 3069



Code	Outlet Size	A	B	C	D
3069	50mm	120	151	151	90

Note: Side exit traps are not suitable where access to the underside of the tray is not available for connection.

Bottom Exit Trap Code 3100



Code	Outlet Size	A	B	C	D
3100	50mm	120	131	151	76

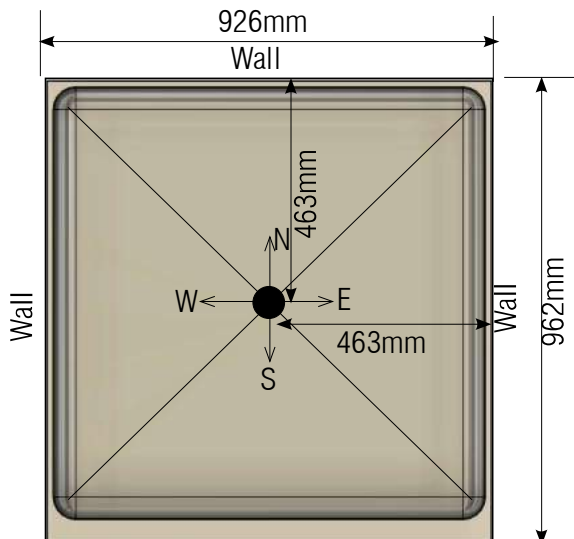
Wall Linings

Plaster Board – Plaster board must be moisture resistant and be installed in accordance with the manufacturers’ installation instructions.

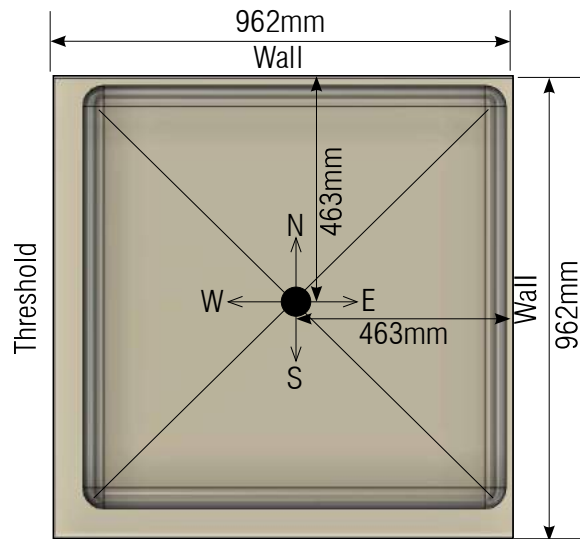
Shower Linings - Shower linings must be impervious and meet the requirements of Clause E3 of the New Zealand Building Code.

Shower linings must be installed in accordance with the lining manufacturers’ installation instructions.

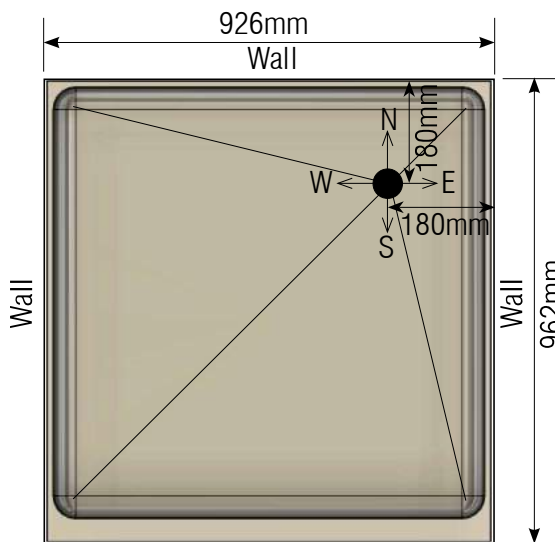
Shower Tray Configuration and Product Codes



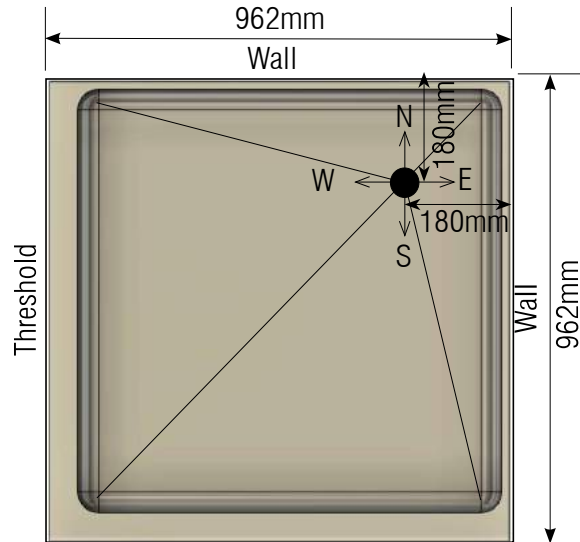
Threshold
H4 3 Sided Option



Threshold
H4 2 Sided Option



Threshold
H5 3 Sided Option



Threshold
H5 2 Sided Option

Trays are available in two or three sided options and as illustrated with two waste position options. Either central or corner positioning.

Where side entry Esi- Clean traps are required the direction of the waste can be specified as illustrated as N, S, E or W.

Part #	Bottom Outlet
BP151143	H4 SHOWER TRAY-3 -SIDED WITH INTEGRATED STEP & WELDED WASTE- BOTTOM OUTLET
BP151144	H4 SHOWER TRAY-2 -SIDED WITH INTEGRATED STEP & WELDED WASTE- BOTTOM OUTLET
BP151146	H5 SHOWER TRAY-3 -SIDED WITH INTEGRATED STEP & WELDED WASTE- BOTTOM OUTLET
BP151147	H5 SHOWER TRAY-2 -SIDED WITH INTEGRATED STEP & WELDED WASTE- BOTTOM OUTLET

PART #	Side Outlet	N,S,E,W
BP151140	H4 SHOWER TRAY-3 -SIDED WITH INTEGRATED STEP & WELDED WASTE- SIDE OUTLET	
BP151145	H4 SHOWER TRAY-2 -SIDED WITH INTEGRATED STEP & WELDED WASTE- SIDE OUTLET	
BP151148	H5 SHOWER TRAY-3 -SIDED WITH INTEGRATED STEP & WELDED WASTE- SIDE OUTLET	
BP151149	H5 SHOWER TRAY-2 -SIDED WITH INTEGRATED STEP & WELDED WASTE- SIDE OUTLET	

Installation

Framing constructed in accordance with NZS 3604 and treated min H1.2. Place polystyrene support ensuring the floor is flat and level and framing is square. Do not use packers. If the floor requires leveling use a suitable leveling compound.



Installation – Cont.

Step 2



Neutral Cure silicon
to bed tray around full
perimeter.

Step 3



Fit Acero tray as tight to fram-
ing as practical and bedding
onto sealant

Bed tray onto sealant an screw fasten the checked
in hold-down lugs to the timber threshold.

Step 4



Step 5



Installation - Cont.

Step 6



Step 7



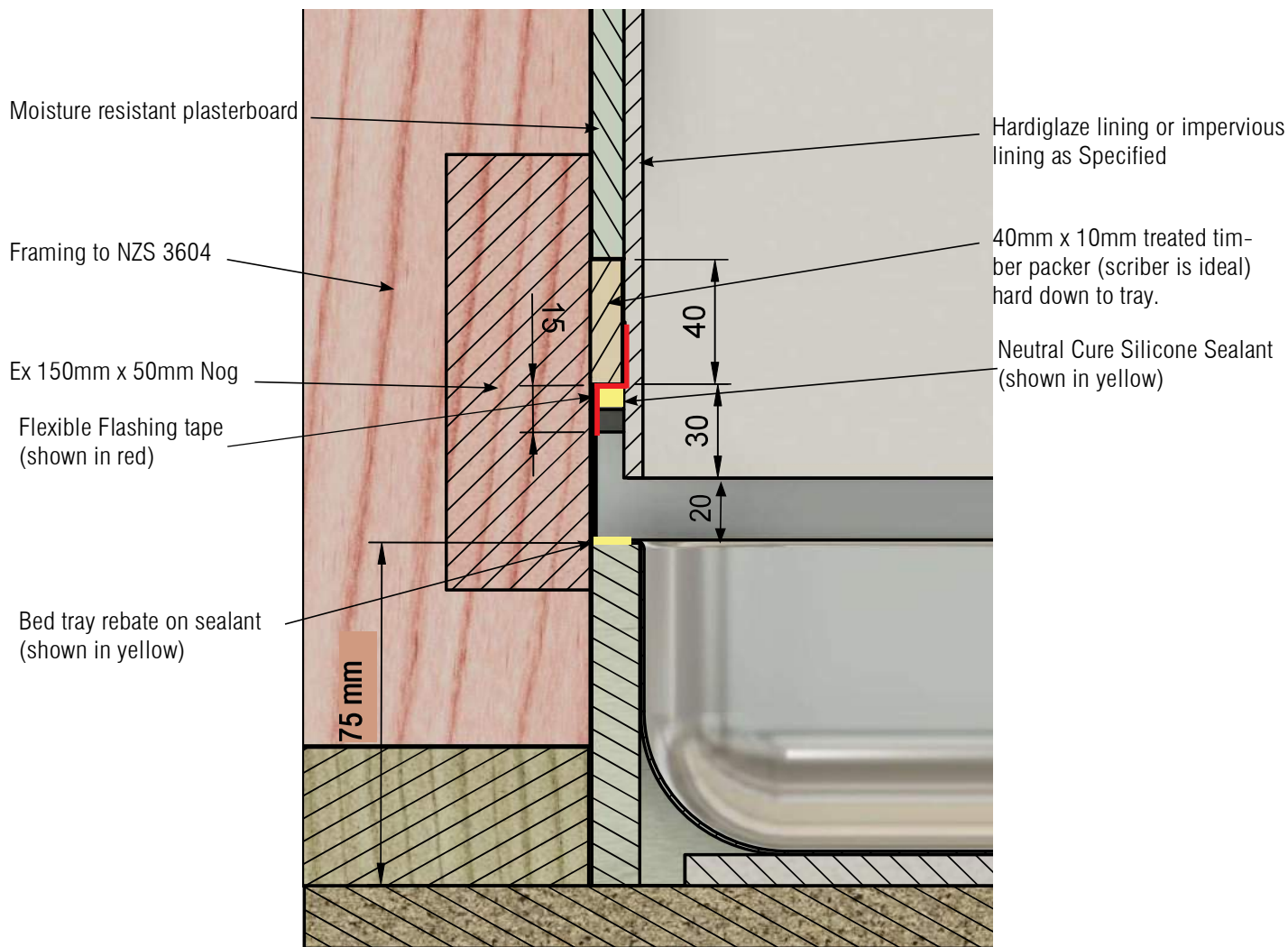
Step 8



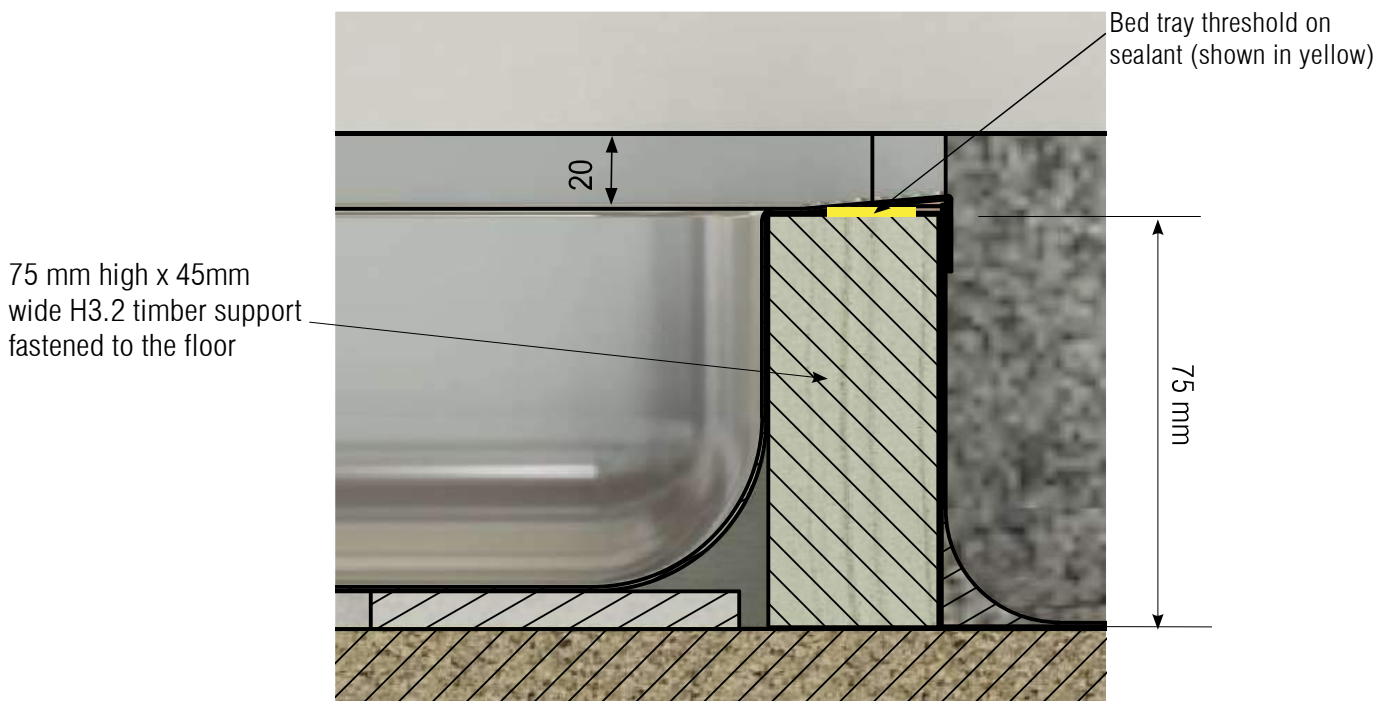
Step 9



Cross Section Details



Not To Scale



Handling

Handle with care as a finished product. It is best practice to plan “just in time” delivery to avoid on site damage.

When on site storage is unavoidable, store in clean dry conditions in an area where construction work is at a minimum.

Store in the box in which it is supplied.

Once installed protect the surface of the tray with corrugated cardboard, or similar, during construction and leave protected until all construction is complete.

Care and Maintenance

Your stainless-steel shower tray is made from high grade 304 (SAE 304) stainless steel.

Stainless steel is a highly durable material but requires some maintenance to keep your product looking beautiful and defect free.

Please follow the simple guidelines below and you will get many years' service from this Acero product.

- Clean your stainless-steel shower tray at least once a week, in addition to rinsing after every use.
- If a stainless-steel cleaner/polish is used always apply with a nonabrasive cloth or sponge.
- Use only non-scratch cleaning pads. Do not use steel wool, wire brushes or abrasive sponge pads.
- Cleaners containing chloride (bleach) are not recommended and if used, rinse the surface immediately to prevent corrosion.
- Most stainless-steel products will scratch from everyday use. however, these scratches will blend over time to create a unique finish.
- Do not store open containers of cleaners or chemicals such as acids, bleach, sodium chloride, toilet bowl cleaner, drain cleaner, household cleaners, or hard water stain removal products on your stainless-steel shower tray
- Follow these simple guidelines and you will get many years of service from this Mercer shower tray.
- Allowing water to evaporate on metal will form water deposits. To avoid this and keep your product looking beautiful, it is important to wipe the tray clean with a soft cloth after each use.

Warranty

Provided that the Acero H Series Shower Trays are installed and maintained in strict accordance with the installation instructions in this publication, Acero offer a 15 year warranty on the product.

Technical Support

Further information and technical support is available by contacting Acero Ltd

This publication was issued in March 2018. Please ensure that you are using the latest publication for this product by contacting +64 3 505143 or downloading the latest technical literature from www.acero.co.nz.