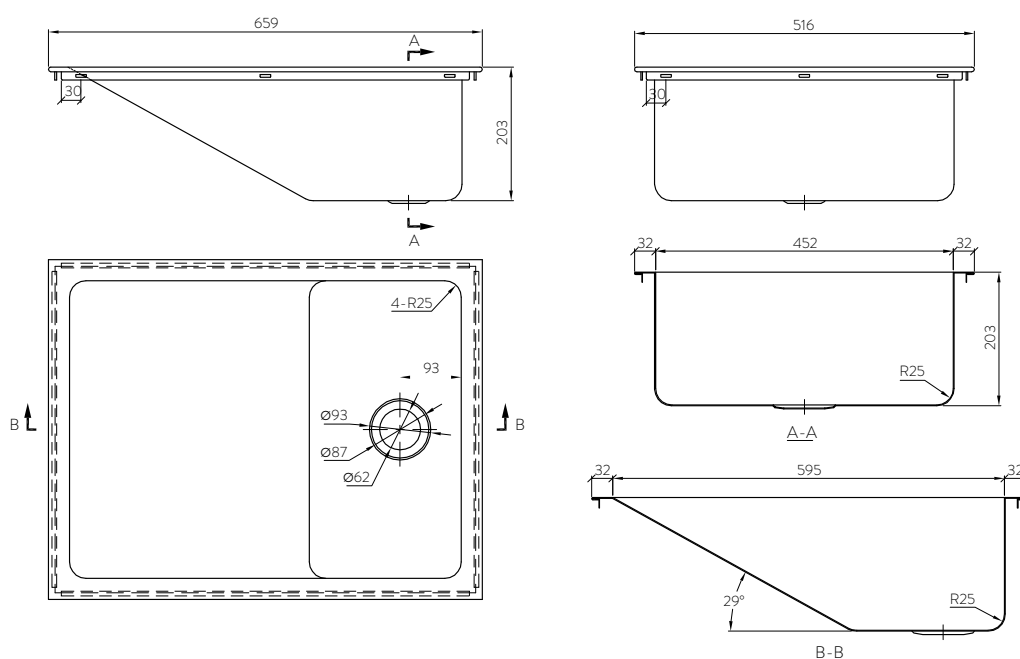


The ACERO BB1 Stainless Steel Baby Bath is made from durable 304 grade stainless steel providing a stable and hygienic surface.

The BB1 is suitable for childcare or healthcare facilities. Install as a top mount into a bench or integrate by either flush mounting or under mounting.



SPECIFICATIONS

Code: BB1

Type: Baby Bath

Dimensions: 659 x 516 x 203mm

Material: 1.2mm 304 Stainless steel

Finish: Satin

FEATURES

Radius internal corners

Top, flush or under mount into bench

50mm waste

ASSOCIATED PRODUCTS



AL041
Soap/Lotion
Dispenser



RBSS1
Stainless Steel
Rubbish Bin



SDSS01
Sensor Liquid
Soap Dispenser



PTDSS1
Paper Towel
Dispenser