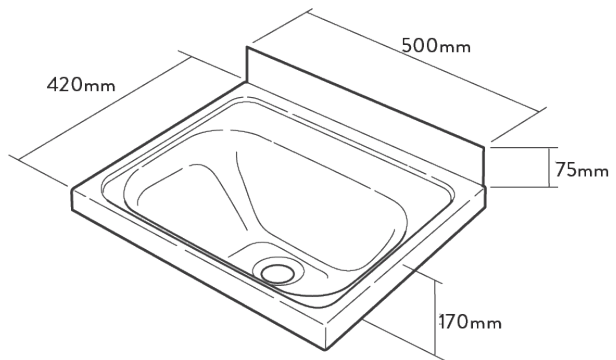
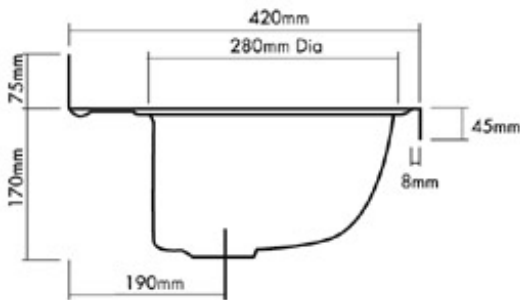


The ACERO G1 Stainless Steel Wall Mounted Hand Wash Basin is made from durable 304 grade stainless steel providing a stable and hygienic surface. The G1 is not only suitable for hospitality, education or public amenities, but also building sites, factories or anywhere hand washing is required.. Access to the plumbing is from the bottom to make it easy to maintain and cost effective.



SPECIFICATIONS

| | |
|--|------------------------------|
| Code: G1 | 40mm plug & waste (supplied) |
| Type: Wall mounted hand wash basin | Anti spill edge |
| Dimensions: 500 x 420 x 170mm | Brackets included |
| Material: 0.9mm 304 Stainless steel | Made in New Zealand |
| Finish: Polished | |