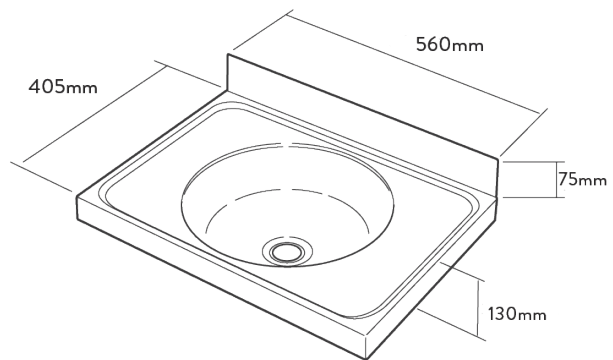
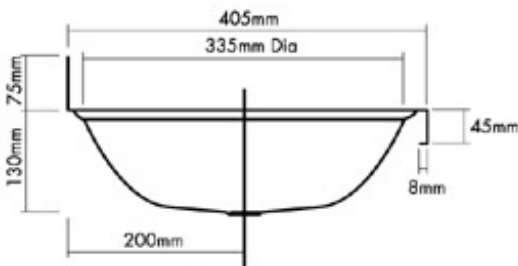


The ACERO G3 Stainless Steel Wall Mounted Hand Wash Basin is made from durable 304 grade stainless steel providing a stable and hygienic surface. The G3 is not only suitable for hospitality, education or public amenities, but also building sites, factories or anywhere hand washing is required.. Access to the plumbing is from the bottom to make it easy to maintain and cost effective.



SPECIFICATIONS

Code: G3	40mm plug & waste (supplied)
Type: Wall mounted hand wash basin	Anti spill edge
Dimensions: 560 x 405 x 130mm	Brackets included
Material: 0.9mm 304 Stainless steel	Made in New Zealand
Finish: Polished	