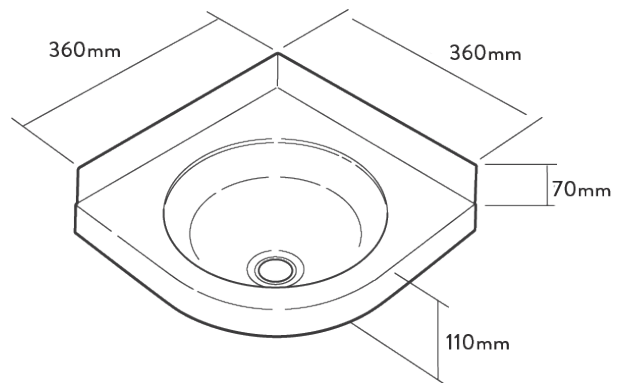
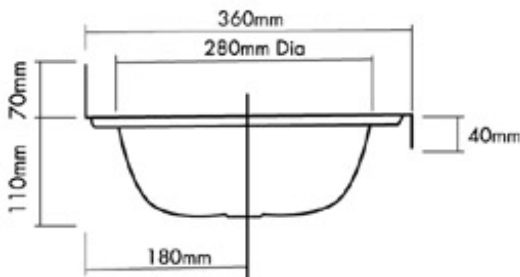


The ACERO G6 Stainless Steel Wall Mounted Hand Wash Basin is made from durable 304 grade stainless steel providing a stable and hygienic surface. The G6 is not only suitable for hospitality, education or public amenities, but also building sites, factories or anywhere hand washing is required. This model is designed to be installed into a corner. Access to the plumbing is from the bottom to make it easy to maintain and cost effective.



### SPECIFICATIONS

<b>Code:</b> G6	40mm plug & waste (supplied)
<b>Type:</b> Wall mounted hand wash basin	Anti spill edge
<b>Dimensions:</b> 360 x 360 x 110mm	Brackets included
<b>Material:</b> 0.9mm 304 Stainless steel	Made in New Zealand
<b>Finish:</b> Polished	