

Mercer

by Acero

SINKS, TAPS
AND ACCESSORIES

2025



ON THESE SHORES SINCE 1884

Kiwi Excellence in sinks, taps and accessories.

An iconic New Zealand brand with a history dating back to 1884, Mercer is proud to offer a high quality range of stainless steel sinks and benching along with sink options in composite granite and coloured stainless steel.

Our pressed stainless steel sinks are expertly crafted and pressed in Christchurch and supplemented with an imported selection of sinks, taps and accessories that offer the best in style and durability.

Custom stainless benching for both residential and commercial projects are made by Acero in Christchurch.

Technology may have moved on since 1884 but our values and commitment to quality have remained. Our traditional principles, combined with modern technology mean we continue to craft and source premium products that we are proud to put our name behind.



ON THIS PAGE

Sink - Mercer Duro Granite Rome
DG130U-B

Cabinetry - Prime Melamine Black
Timberland

Design by Alina Cuchiliuc, Cube Dentro

Mercer

Sinks, taps and accessories



Icon Key	4
Tapware & Wastes	5
Sinkware Ranges	
Mercer DV Series	8
Mercer Pressato Series	15
Mercer DC Series	18
Mercer EC Series	20
Mercer Ravenna Butler Series	24
Mercer DB Butler Series	26
Mercer Duro Granite Series	28
Central Workstation Collection	34
Mercer Aurora Series	36
Mercer ER Series	40
Bowl And Drainers	
Mercer EE Everglade Series	42
Mercer Urban Series	44
Mercer EH Horizon Series	46
Laundry	
EL Laundry Sinks	48
Pulito Laundry Sink	50
DV Laundry Sinks	50
Stainless Steel Benching	
Classicline 500 Series	52
Classicline 600 Series	53
Classicline Drainer Series	54
Drainer with Box Stand Series	55
Custom Benching	56
Accessories	57
Dri Seal & Space Saver Waste	63
Product Care & Warranty	64

Cover image: Design by Leonnie Hammill, Cube Dentre

ACCESSORIES

Add functionality to your kitchen using our range of sinkware accessories. Our accessories are custom made from top quality materials to suit a range of Mercer sinks.

You can see what matching accessories your Mercer Sink has by looking for the corresponding icons underneath the image in this catalogue. *Please see the accessories section on page 57 for more details.*

FOLDING MAT



Description
The Aurora Folding Mat is a multi-purpose dish drainer and can be used to prop up your iPad or recipe book. Also available in PVD stainless steel to complement the Aurora range.

FOOD BOARDS



Description
The Wooden Food Boards fit snugly onto a range of our sinks to give you more bench space for food prep as well as making a stylish serving board.

COLANDER



Description
Our range of colanders are designed to fit in the sink and hang over the main bowl – less mess, less fuss.

DISHRACK



Description
Our range of dishracks are designed to fit into a range of Mercer sinks.

DRAINER TRAY



Description
Drainer Trays coordinate with a range of the Mercer bowls. It allows you to keep your benchtop dry and free of clutter and can be put away when not in use. Also available in PVD stainless steel to complement the Aurora range.

LOTION DISPENSER



Description
Add the convenience of having flowing soap or hand cream right by your sink. Acero provide a range of lotion dispensers to match our stainless steel and coloured stainless steel sinks and accessories.

ICON KEY



New Zealand Made
If you see this icon, that means our sinks are crafted right here in NZ.



25 Year Warranty
We take pride in the fact that we stand by our products, this icon indicates the limited warranty period on your sink.



Sink Corner Radius
This indicates the corner radius of your Mercer sink.



Reversible
If you see this icon your sink is reversible, meaning you can rotate it to be installed either way round.



Minimum Cabinet Size
Our cabinet sizes are calculated for top mount installation unless the sink is designed for under mount only.



Under Mount
Your sink can be under mounted to your bench top.



Weld In
Your sink can be welded into your stainless steel bench top.



Top Mount
Your sink can be top mounted to your bench top.



Left and Right Option
Your sink is available in a left and right hand configuration.



316 Stainless Steel
Your sink is available in 316 grade Stainless steel.

ADD A SPLASH OF COLOUR

Mercer have a range of coloured stainless steel gooseneck taps in brass, copper, black and gunmetal to complement the Aurora sinks.

The Aurora coloured wastes are also available as an accessory and create a stunning contrast when paired with the matching tap and installed into one of the Ceramic Butler sinks or Duro Granite Range.

There is also a stainless steel option available.



TAPWARE Mercer Gooseneck Mixers

Aurora PVD Coloured Stainless

(See full range of taps on page 58)



90MM ROUND BASKET WASTES

(See full range of coloured stainless steel accessories from page 62)





ON THIS PAGE

Sink - Mercer Aurora Brass AA503

Tap - Mercer Aurora Brass AM027

Back cabinetry - Ultraglaze Acrylic,
Arctic Ice Gloss

Front cabinetry - Prime Veneer,
American White Oak - Crown Cut

Design by Leonie Hamill, Cube Dentro



Mercer Seamless Overflow



MERCER DV SERIES

Effortless style and attention to detail, the DV is recognised as the industry benchmark

FEATURES

- 1.2mm, 304 Grade stainless steel
- Satin finish
- Hand fabricated
- 15mm corner radius
- 90mm basket waste
- Main bowl 15l/min overflow
- 25mm flat flange
- 25 Year limited warranty

A sleek, stylish, tight radius sink. The linear shape of the DV Series reflects modern design trends.

The Mercer DV Series is manufactured to the highest quality standards and includes a wide range of sizes and configurations.

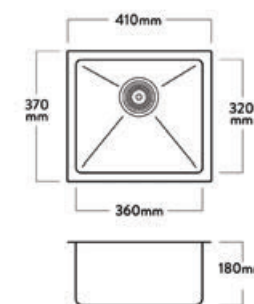
Double bowls come standard with a 30mm bridge. Knife edge options are available.



DV090 Somerset

DV090

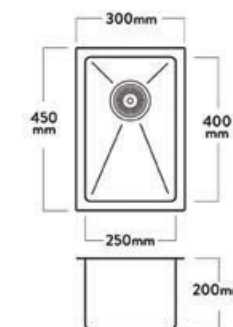
420



DV101 Newport

DV101

310



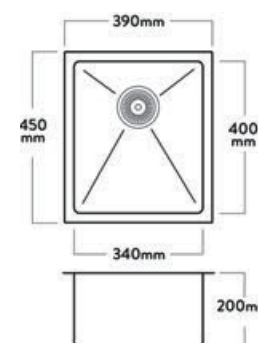
Available Accessories

- Colander
- Food Boards

DV104 Kent

DV104

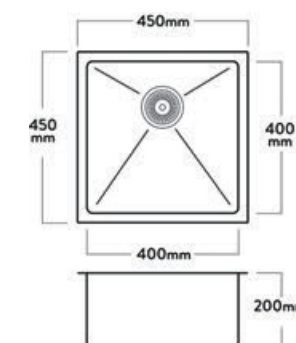
400



DV102 Essex

DV102

460



Available Accessories

- Colander
- Food Boards
- Dishrack

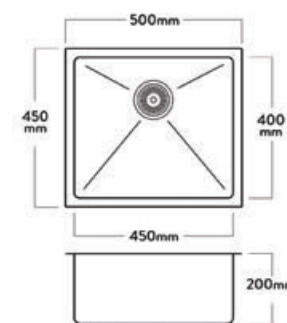
Available Accessories

- Colander
- Food Boards
- Dishrack
- Drainer Tray

DV105 Oxford

DV105

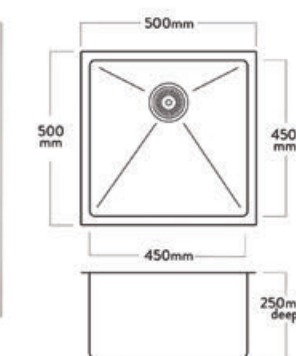
510



DV108 Loxley

DV108

510



Available Accessories

- Colander
- Food Boards
- Dishrack
- Drainer Tray

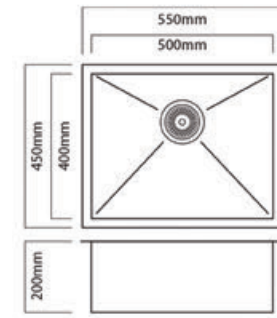
Available Accessories

- Dishrack

DV103 HARTFORD

DV103

560



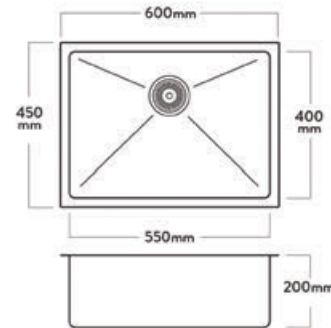
Available Accessories

- Colander
- Dishrack
- Food Boards
- Drainer Tray

DV107 DERBY

DV107

610



Available Accessories

- Colander
- Dishrack
- Food Boards
- Drainer Tray

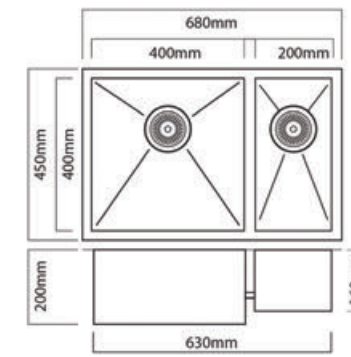
DV204 LIVERPOOL

DV204R

L R 690



ALSO AVAILABLE:
DV204L



Available Accessories

- Colander
- Dishrack
- Food Boards
- Drainer Tray

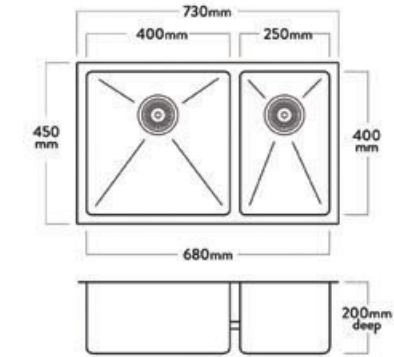
DV201 BRISTOL

DV201R

L R 740



ALSO AVAILABLE:
DV201L



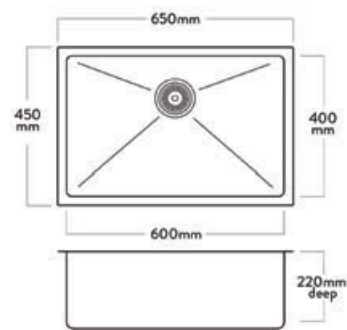
Available Accessories

- Colander
- Dishrack
- Food Boards
- Drainer Tray

DV106 CHESTER

DV106

660



Available Accessories

- Colander
- Dishrack
- Food Boards
- Drainer Tray

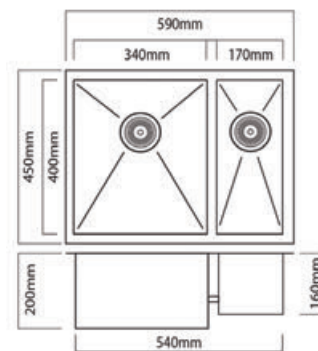
DV203 BRIGHTON

DV203R

L R 600



ALSO AVAILABLE:
DV203L



Available Accessories

- Colander
- Dishrack
- Food Boards

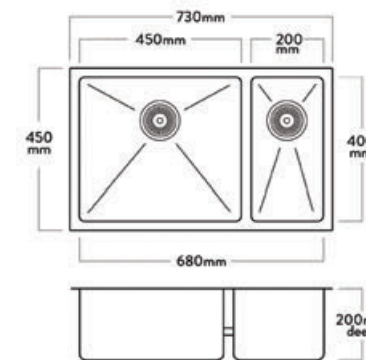
DV205 LINCOLN

DV205R

L R 740



ALSO AVAILABLE:
DV205L



Available Accessories

- Colander
- Dishrack
- Food Boards
- Drainer Tray

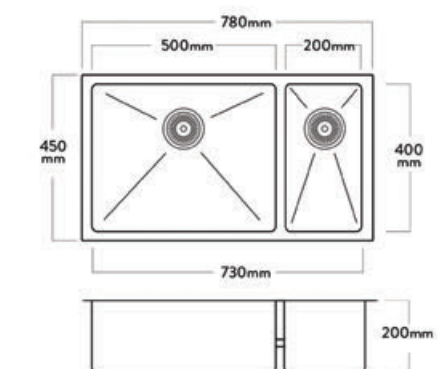
DV208 WORCESTER

DV208R

L R 790



ALSO AVAILABLE:
DV208L



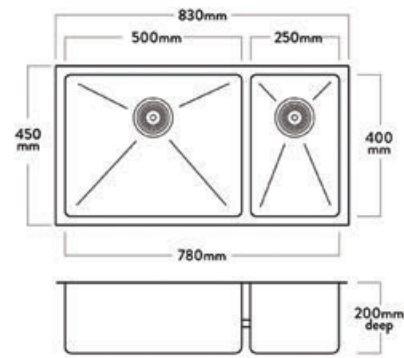
Available Accessories

- Colander
- Dishrack
- Food Boards
- Drainer Tray

DV202 BURLINGTON
DV202R



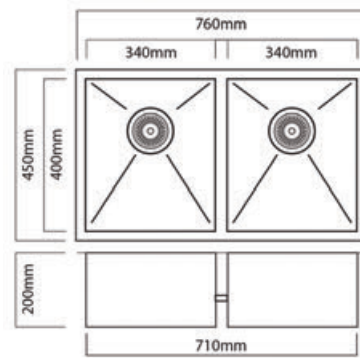
ALSO AVAILABLE:
DV202L



Available Accessories

- Colander
- Food Boards
- Dishrack
- Drainer Tray

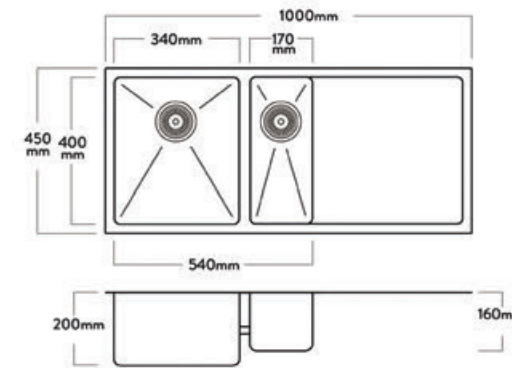
DV206 LANCASTER
DV206



Available Accessories

- Colander
- Food Boards
- Dishrack

DV402 SALISBURY
DV402R

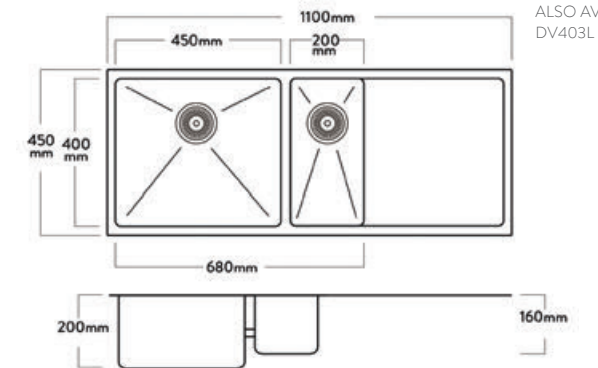


ALSO AVAILABLE:
DV402L

Available Accessories

- Colander
- Food Boards
- Dishrack

DV403 SHEFFIELD
DV403R

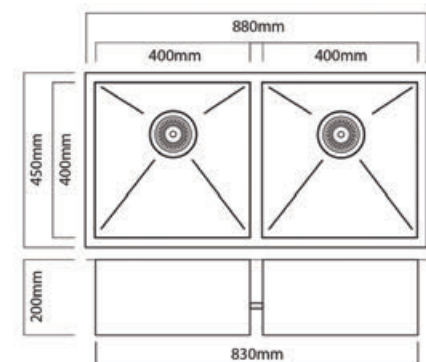


ALSO AVAILABLE:
DV403L

Available Accessories

- Colander
- Food Boards
- Dishrack
- Drainer Tray

DV207 DORSET
DV207



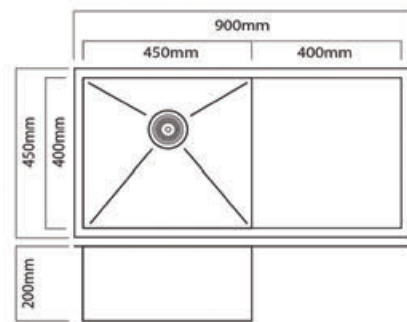
Available Accessories

- Colander
- Food Boards
- Dishrack
- Drainer Tray

DV401 SALFORD
DV401R



ALSO AVAILABLE:
DV401L

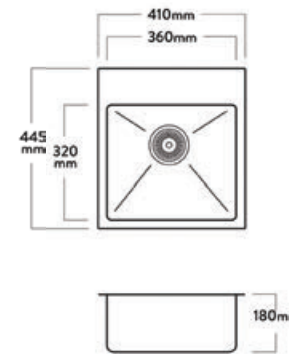


Available Accessories

- Colander
- Food Boards
- Dishrack
- Drainer Tray

MERCER DV SERIES WITH TAP LEDGE

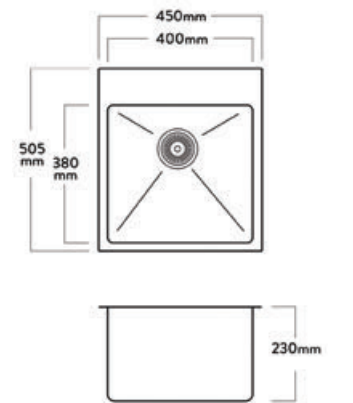
DV590 STONELEIGH
DV590



Available Accessories

- Folding Mat

DV504 WARWICK
DV504

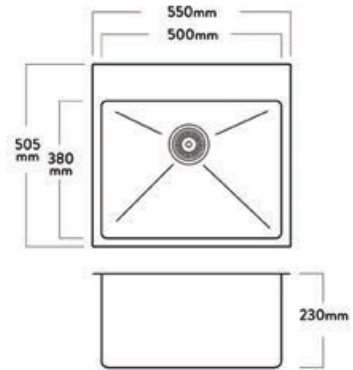


Available Accessories

- Folding Mat

DV503 LEAMINGTON

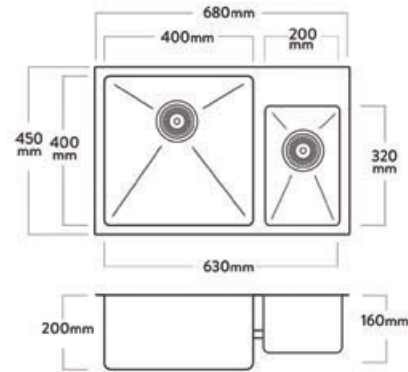
DV503



Available Accessories
- Folding Mat

DV502 HAMPTON

DV502R

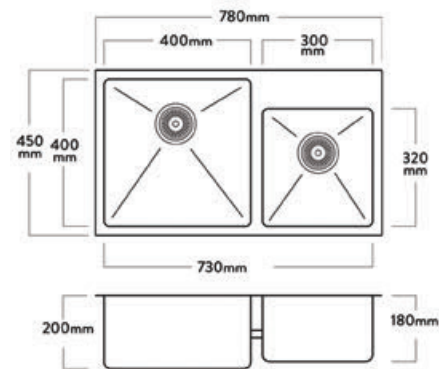


Available Accessories
- Colander
- Food Boards
- Dishrack
- Drainer Tray

ALSO AVAILABLE:
DV502L

DV509R STRATFORD

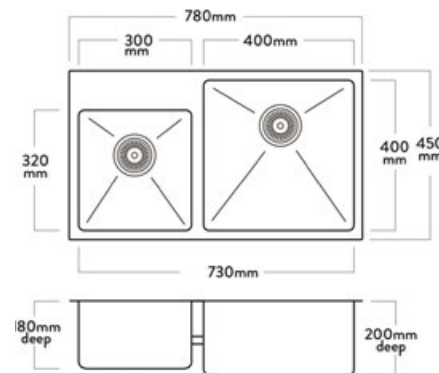
DV509R



Available Accessories
- Colander
- Food Boards
- Dishrack
- Drainer Tray

DV509L STRATFORD

DV509L



Available Accessories
- Colander
- Food Boards
- Dishrack
- Drainer Tray

Accessory Details Page 57



MERCER PRESSATO SERIES

European tight radius pressed bowl

FEATURES

- European made
- 1.0mm, 304 Grade stainless steel
- Silk finish
- Seamless pressed
- 15mm corner radius
- 90mm basket waste
- All bowls 15l/min overflow
- 20mm flat flange
- 25 Year limited warranty

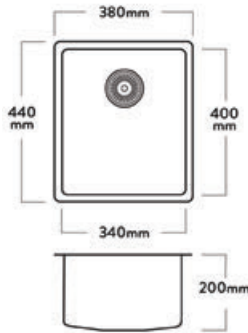


We have worked with one of Europe's leading manufacturers of sinkware to bring to New Zealand a range of tight radius pressed bowls with a 15mm radius corner. Very few have mastered the process of deep draw tight radius technology to produce product to such a high standard. The corners are clean with no distortion and the finish is to the very highest European standard. Double bowls come standard with a 20mm bridge.

PR100

PR100

400



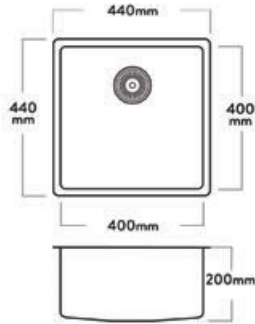
Available Accessories

- Colander
- Food Boards
- Dishrack
- Drainer Tray

PR110

PR110

460



Available Accessories

- Colander
- Food Boards
- Dishrack
- Drainer Tray

PR200

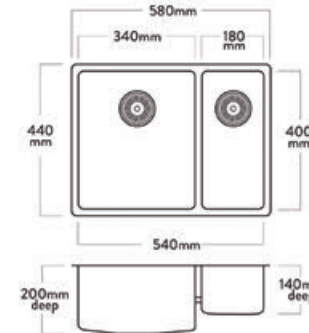
PR200R

L R

600



ALSO AVAILABLE:
PR200L



Available Accessories

- Colander
- Food Boards
- Dishrack
- Drainer Tray

PR210

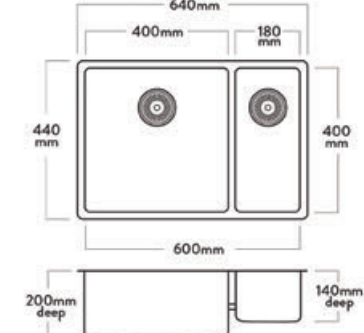
PR210R

L R

660



ALSO AVAILABLE:
PR210L



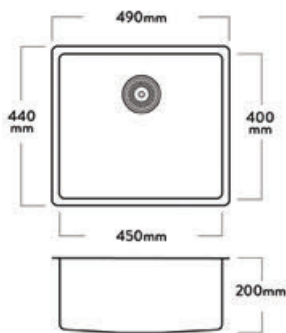
Available Accessories

- Colander
- Food Boards
- Dishrack
- Drainer Tray

PR120

PR120

510



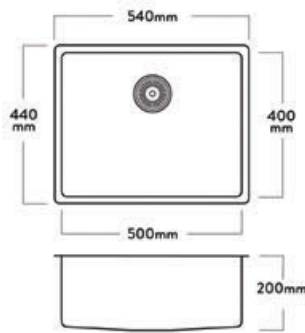
Available Accessories

- Colander
- Food Boards
- Dishrack
- Drainer Tray

PR130

PR130

560



Available Accessories

- Colander
- Food Boards
- Dishrack
- Drainer Tray

PR220

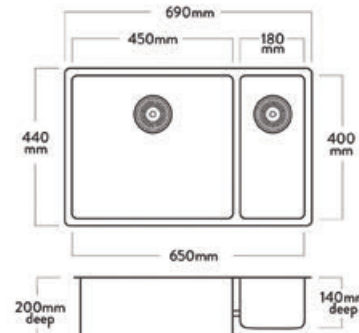
PR220R

L R

710



ALSO AVAILABLE:
PR220L



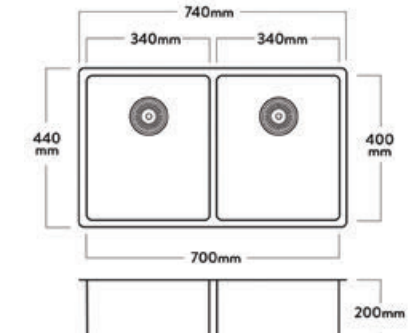
Available Accessories

- Colander
- Food Boards
- Dishrack
- Drainer Tray

PR300

PR300

760



Available Accessories

- Colander
- Food Boards
- Dishrack
- Drainer Tray



MERCER DC SERIES



A New Zealand made, tight radius sink for any contemporary environment

FEATURES

- _____ New Zealand made
- _____ 0.8mm, 304 Grade stainless steel
- _____ Silk finish
- _____ Seamless pressed
- _____ 15mm corner radius
- _____ 90mm basket waste
- _____ Main bowl overflow
- _____ 20mm flat flange
- _____ 25 Year limited warranty

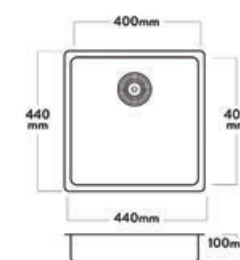
A seamless pressed bowl with a modern look. Manufactured using advanced deep draw technology to produce a tight radius, with all the benefits of a pressed sink.

As the only sink range in its class manufactured in New Zealand, you can be assured of only the best quality. Double bowls come standard with a 30mm bridge.



DC102

DC102

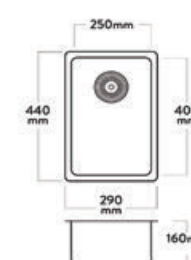


Available Accessories

- Colander
- Food Boards
- Dishrack
- Drainer Tray

DC103

DC103

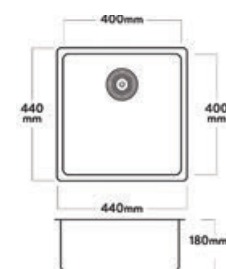


Available Accessories

- Colander
- Food Boards
- Drainer Tray

DC104

DC104

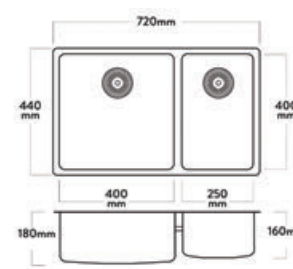


Available Accessories

- Colander
- Food Boards
- Dishrack
- Drainer Tray

DC202

DC202R



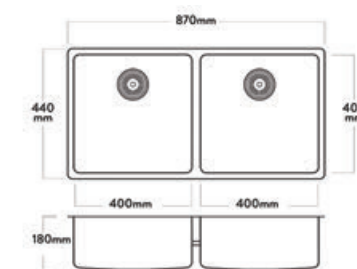
ALSO AVAILABLE:
DC202L

Available Accessories

- Colander
- Food Boards
- Dishrack
- Drainer Tray

DC203

DC203

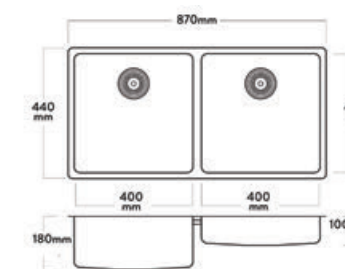


Available Accessories

- Colander
- Food Boards
- Dishrack
- Drainer Tray

DC204

DC204R



ALSO AVAILABLE:
DC204L

Available Accessories

- Colander
- Food Boards
- Dishrack
- Drainer Tray



MERCER EC SERIES

A New Zealand made favourite



FEATURES

- ____ New Zealand made
- ____ 0.9mm, 304 Grade stainless steel (316 options available) Silk finish
- ____ Seamless pressed
- ____ 50mm corner radius
- ____ 90mm round basket waste
- ____ Optional main bowl 15 l/min overflow
- ____ 15mm flat flange
- ____ 25 Year limited warranty

If a functional sink is your priority, then the Mercer EC Series is designed for you.

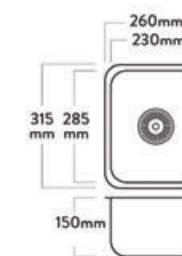
The range features broader curves for an easy clean, simple, functional design in a wide range of sizes and configurations.



EC101 PONTE
EC101



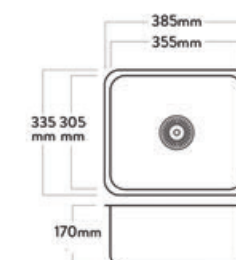
EC102 VOTO
EC102



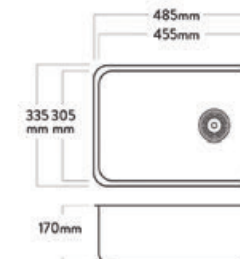
EC104 ARIA
EC104



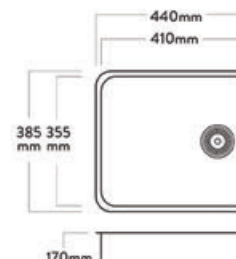
EC105 PASSATO
EC105



EC106 AMPIO
EC106



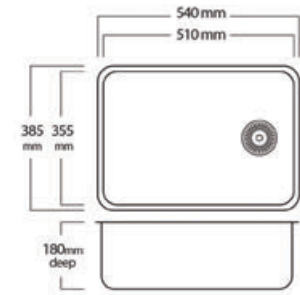
EC107 BELLA
EC107



Available Accessories

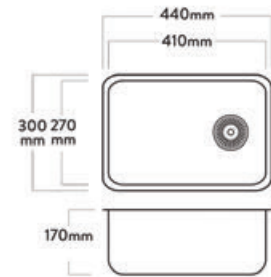
- Food Boards
- Dishrack
- Drainer Tray

EC108 RIVA
EC108



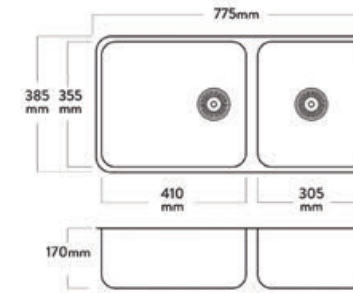
- Available Accessories**
- Food Boards
 - Dishrack
 - Drainer Tray

EC109 TERZO
EC109



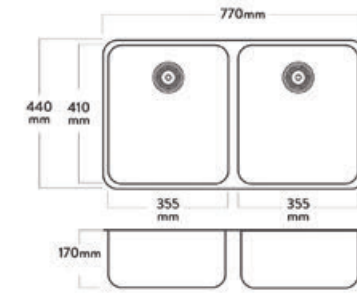
- Available Accessories**
- Food Boards
 - Dishrack
 - Drainer Tray

EC204 TAGLIO
EC204



- Available Accessories**
- Food Boards
 - Dishrack
 - Drainer Tray

EC205 PICCO
EC205

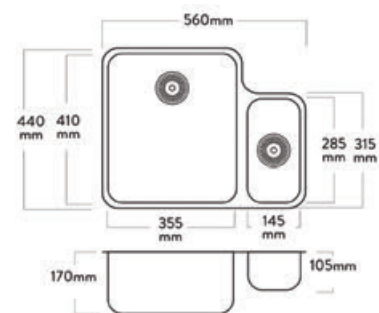


- Available Accessories**
- Food Boards
 - Dishrack
 - Drainer Tray

EC201 ROMANO
EC201R



ALSO AVAILABLE:
EC201L

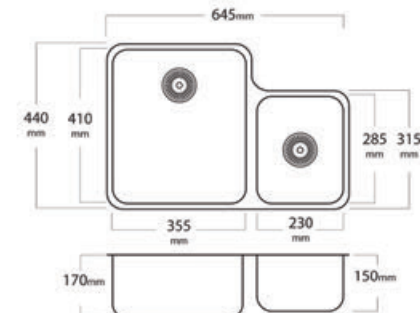


- Available Accessories**
- Food Boards
 - Dishrack
 - Drainer Tray

EC202 PALIO
EC202R



ALSO AVAILABLE:
EC202L

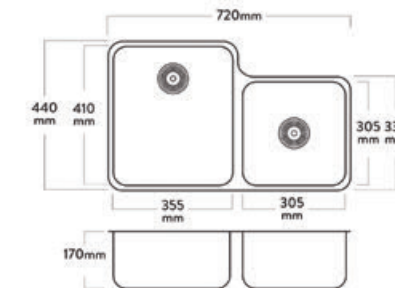


- Available Accessories**
- Food Boards
 - Dishrack
 - Drainer Tray

EC207 PRIMA
EC207R



ALSO AVAILABLE:
EC207L

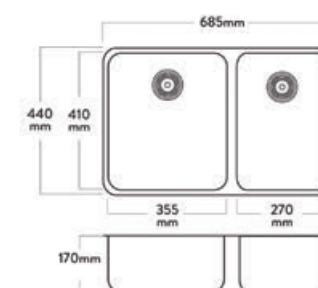


- Available Accessories**
- Food Boards
 - Dishrack
 - Drainer Tray

EC208 STESSO
EC208R



ALSO AVAILABLE:
EC208L



- Available Accessories**
- Food Boards
 - Dishrack
 - Drainer Tray



MERCER RAVENNA BUTLER SERIES

Handcrafted in a classic fluted design

CERAMIC FEATURES

- Hand crafted natural ceramic
- High glaze white
- 90mm round basket waste
- 5 Year limited warranty
- Can be installed with waste disposals

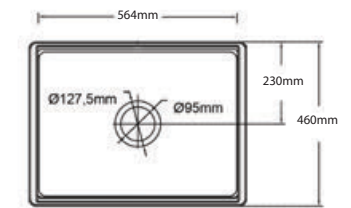
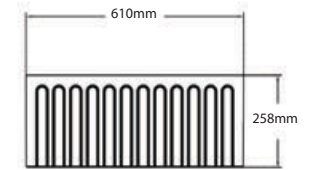
These fabulous new additions to the Mercer range are right on trend and come complete with an HPL cutting board that sits in the sink on an accessory ledge along with a metal grid for the bottom of the sink.

The elegant fluting looks equally at home in country-style kitchens and sculleries as much as city villas and bungalows. Further accessorise with one of our coloured stainless steel wastes and taps. Durable, stylish and effortlessly classic.



RB150 RAVENNA BUTLER SINGLE SINK

RB150



Included Accessories

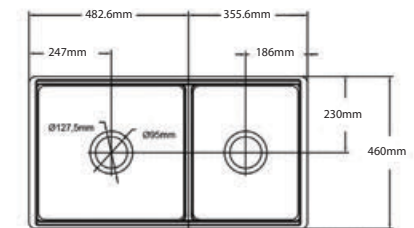
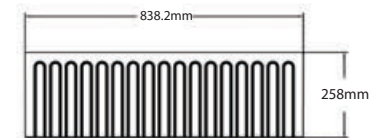
- HPL Cutting Board
- Metal Grid

Available Accessories

- Aurora PVD Waste Kit

RB290 RAVENNA BUTLER DOUBLE SINK

RB290



Included Accessories

- HPL Cutting Board
- Metal Grid

Available Accessories

- Aurora PVD Waste Kit

ONE SINK TWO DESIGNS





MERCER DB BUTLER SERIES

Handcrafted, timeless design

CERAMIC FEATURES

- Hand crafted natural ceramic
- High glaze white
- 90mm round basket waste
- 5 Year limited warranty



NB: These sinks are not designed to be installed with waste disposals

STAINLESS STEEL FEATURES

- 1.2mm, 304 Grade stainless steel
- Hand fabricated
- 90mm round basket waste
- 25 Year limited warranty



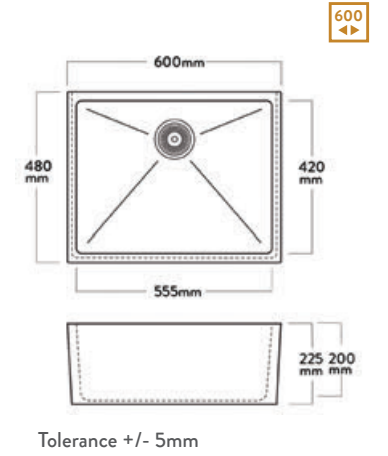
A ceramic butler sink perfectly suited for both traditional and modern design.

This classic white sink is hand-crafted to the highest quality standards and is a perfect harmony of style and durability.

Add a splash of colour with our coloured stainless steel wastes and taps.

SINGLE BELFAST BUTLER SINK

DB101

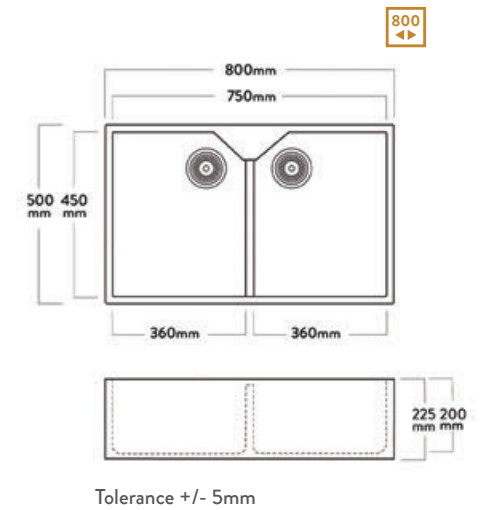


Available Accessories

- Aurora PVD Waste Kit

DOUBLE BELFAST BUTLER SINK

DB201

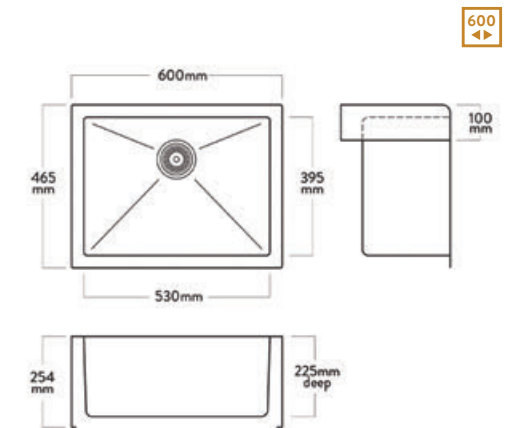


Available Accessories

- Aurora PVD Waste Kit

STAINLESS STEEL BUTLER SINK

DB102





DURO GRANITE SERIES

Made in Italy for New Zealand

FEATURES

Made from 80% natural granite

Matte finish

10mm corner radius

Main bowl 15 l/min overflow

Modern flip waste cover

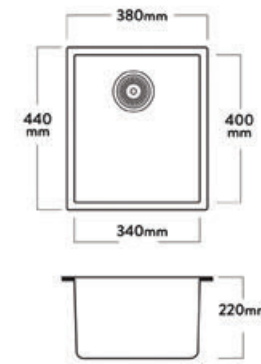
25 Year limited warranty

The Duro Granite is an easy care sink with clean straight lines. This high quality, modern sink is stylish yet functional. With the proper care Duro Granite bowls will not scratch, stain or change colour, staying true to its original appearance.

A stylish European design which stands the test of time. Add a splash of colour with our coloured stainless steel wastes and taps.

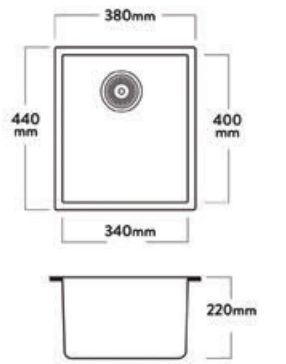


DG100U-B PALERMO
DG100U-B



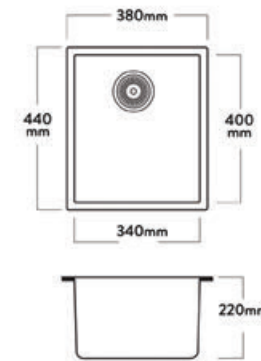
- Available Accessories**
- Colander
 - Folding Mat
 - Aurora PVD Waste Kit
 - Drainer Tray

DG100U-W CAGLIARI
DG100U-W



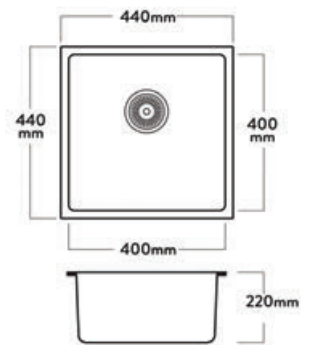
- Available Accessories**
- Colander
 - Folding Mat
 - Aurora PVD Waste Kit
 - Drainer Tray

DG100U-C BRESCIA
DG100U-C



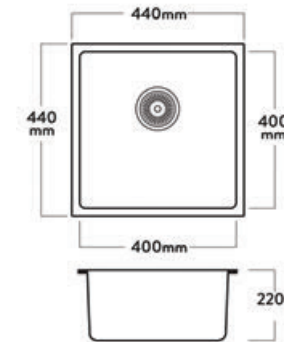
- Available Accessories**
- Colander
 - Folding Mat
 - Aurora PVD Waste Kit
 - Drainer Tray

DG110U-B PISA
DG110U-B



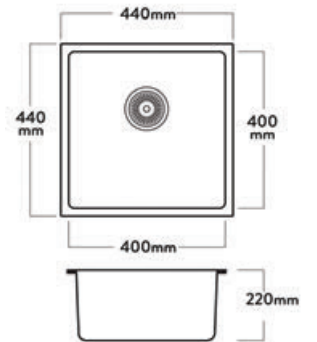
- Available Accessories**
- Colander
 - Folding Mat
 - Aurora PVD Waste Kit
 - Drainer Tray

DG110U-W LIVOMO
DG110U-W



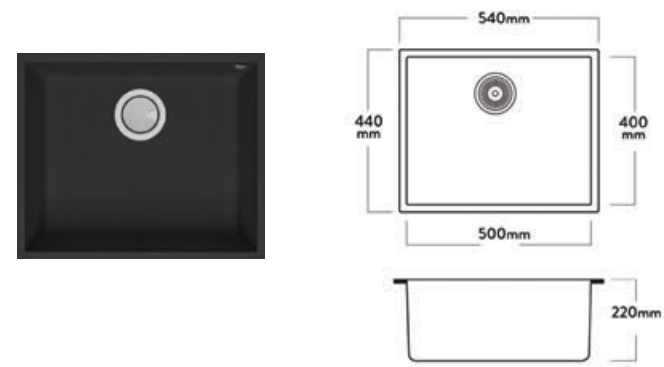
- Available Accessories**
- Colander
 - Folding Mat
 - Aurora PVD Waste Kit
 - Drainer Tray

DG110U-C SIENA
DG110U-C



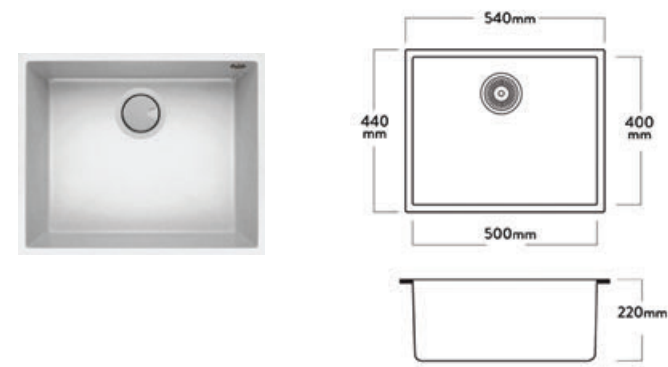
- Available Accessories**
- Colander
 - Folding Mat
 - Aurora PVD Waste Kit
 - Drainer Tray

DG130U-B ROME
DG130U-B



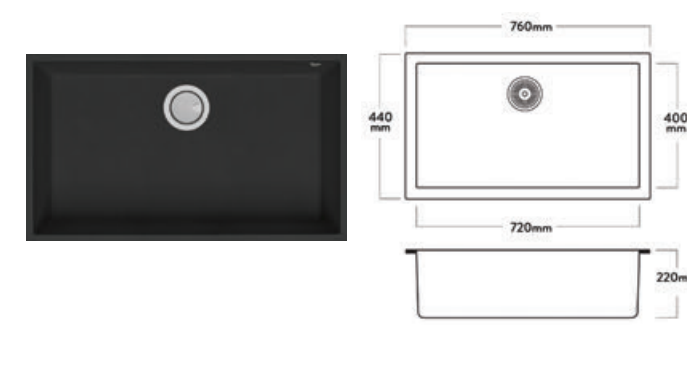
- Available Accessories**
- Colander
 - Folding Mat
 - Aurora PVD Waste Kit
 - Drainer Tray

DG130U-W BOLOGNA
DG130U-W



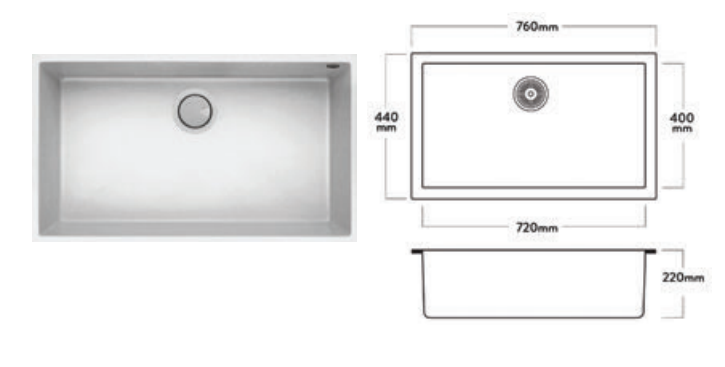
- Available Accessories**
- Colander
 - Folding Mat
 - Aurora PVD Waste Kit
 - Drainer Tray

DG175U-B GENOA
DG175U-B



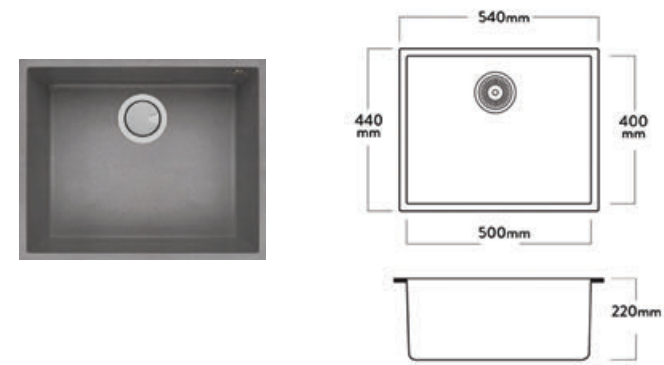
- Available Accessories**
- Colander
 - Folding Mat
 - Aurora PVD Waste Kit
 - Drainer Tray

DG175U-W LECCE
DG175U-W



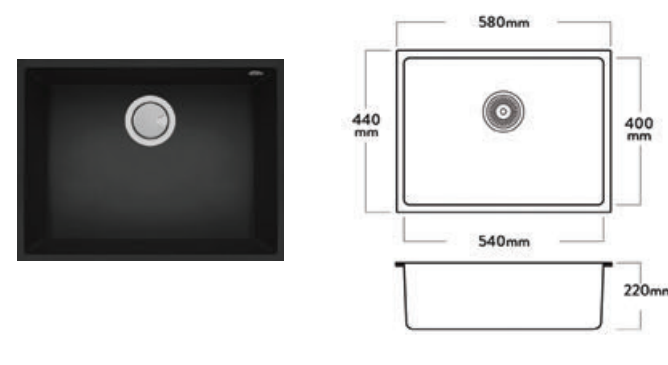
- Available Accessories**
- Colander
 - Folding Mat
 - Aurora PVD Waste Kit
 - Drainer Tray

DG130U-C LUCCA
DG130U-C



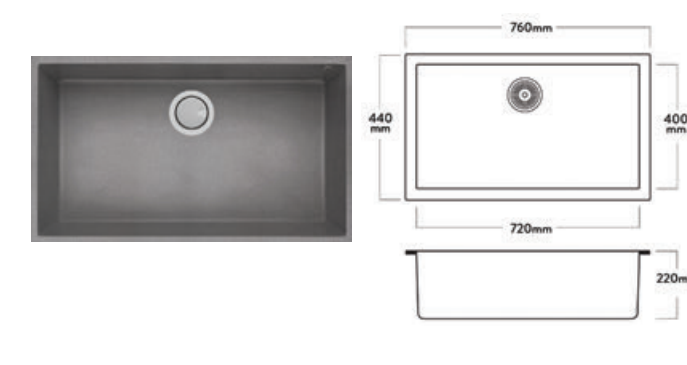
- Available Accessories**
- Colander
 - Folding Mat
 - Aurora PVD Waste Kit
 - Drainer Tray

DG140U-B RAVENNA
DG140U-B



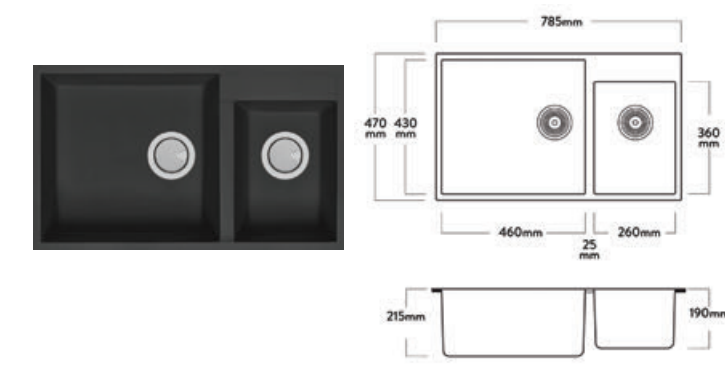
- Available Accessories**
- Colander
 - Folding Mat
 - Aurora PVD Waste Kit
 - Drainer Tray

DG175U-C MATERA
DG175U-C



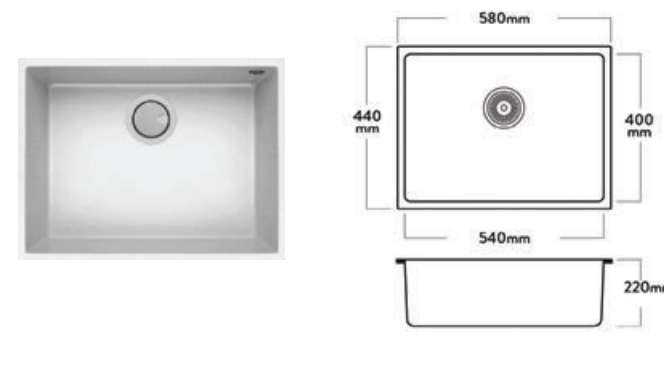
- Available Accessories**
- Colander
 - Folding Mat
 - Aurora PVD Waste Kit
 - Drainer Tray

DG270U-B MILAN
DG270U-B



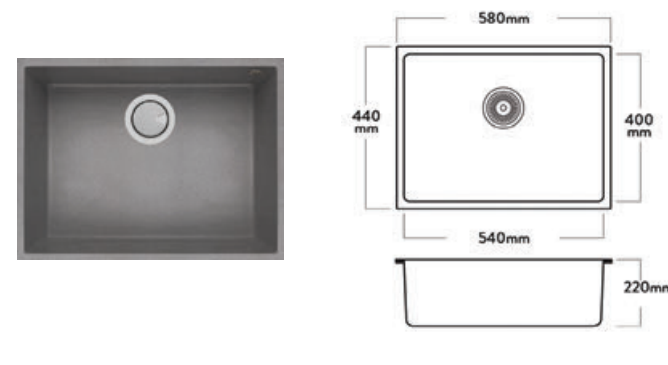
- Available Accessories**
- Folding Mat
 - Aurora PVD Waste Kit

DG140U-W PERUGIA
DG140U-W



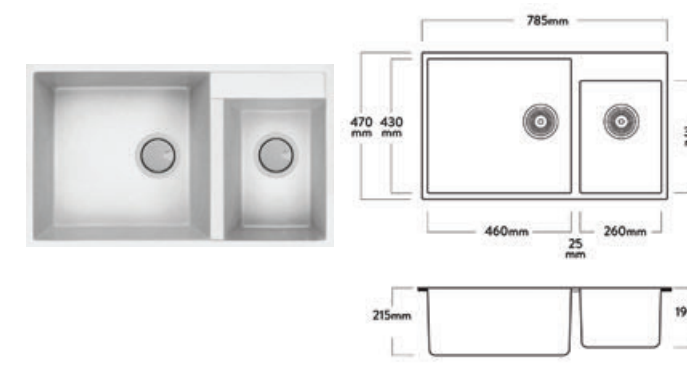
- Available Accessories**
- Colander
 - Folding Mat
 - Aurora PVD Waste Kit
 - Drainer Tray

DG140U-C TRIESTE
DG140U-C



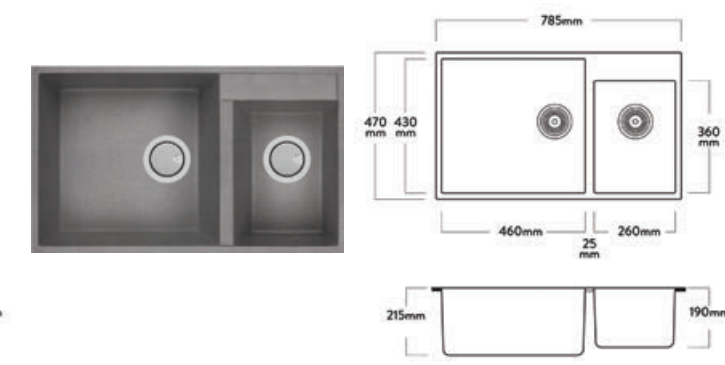
- Available Accessories**
- Colander
 - Folding Mat
 - Aurora PVD Waste Kit
 - Drainer Tray

DG270U-W FLORENCE
DG270U-W



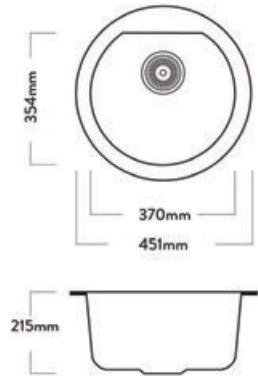
- Available Accessories**
- Folding Mat
 - Aurora PVD Waste Kit

DG270U-C PISTOIA
DG270U-C



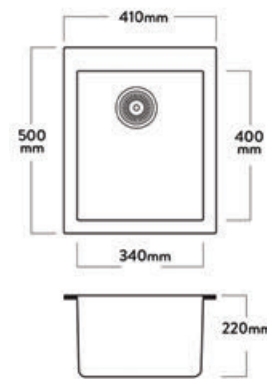
- Available Accessories**
- Folding Mat
 - Aurora PVD Waste Kit

DG080T-B AMALFI
DG080T-B



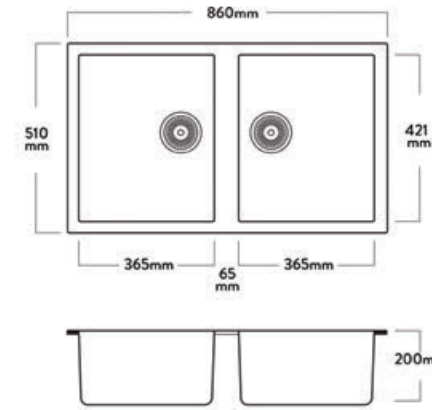
Available Accessories
- Aurora PVD Waste Kit

DG100T-B VENICE
DG100T-B



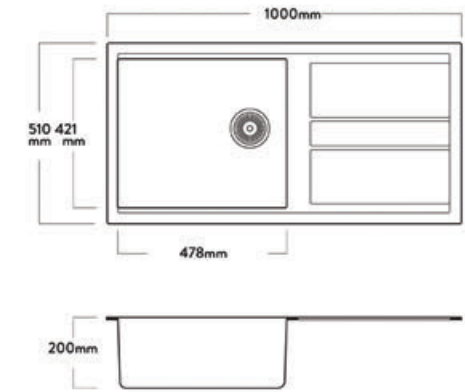
Available Accessories
- Colander
- Folding Mat
- Aurora PVD Waste Kit
- Drainer Tray

DG450-B MESSINA
DG450-B



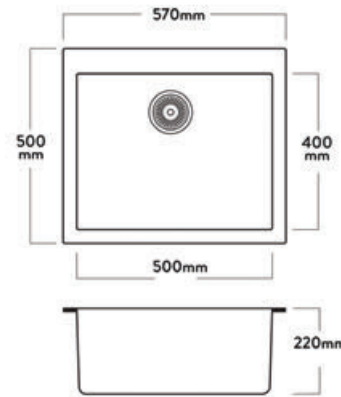
Available Accessories
- Folding Mat
- Aurora PVD Waste Kit

DG480-B TARANTO
DG480-B



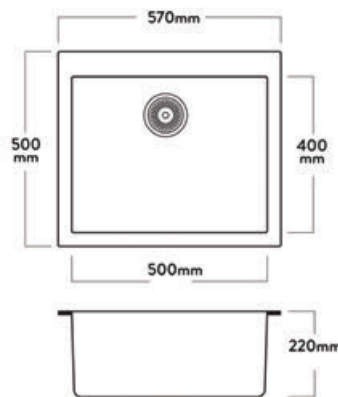
Available Accessories
- Folding Mat
- Aurora PVD Waste Kit

DG130T-W PALEMO
DG130T-W



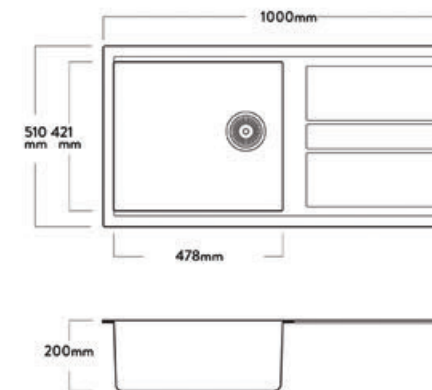
Available Accessories
- Colander
- Folding Mat
- Aurora PVD Waste Kit
- Drainer Tray

DG130T-B NAPLES
DG130T-B



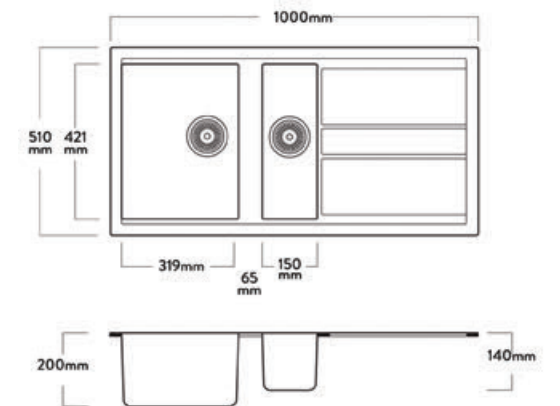
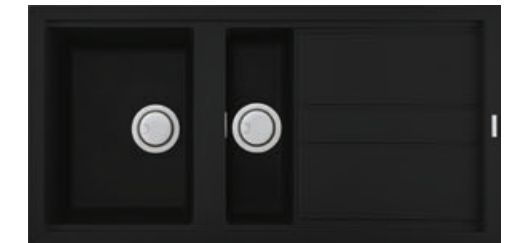
Available Accessories
- Colander
- Folding Mat
- Aurora PVD Waste Kit
- Drainer Tray

DG480-W MODENA
DG480-W



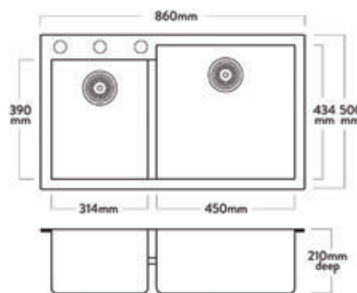
Available Accessories
- Folding Mat
- Aurora PVD Waste Kit

DG475-B PADUA
DG475-B



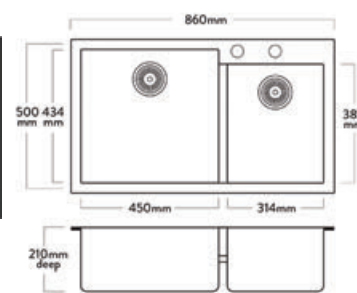
Available Accessories
- Folding Mat
- Aurora PVD Waste Kit

DG290LT-B PARMA
DG290LT-B



Available Accessories
- Folding Mat
- Aurora PVD Waste Kit

DG290RT-B PARMA
DG290RT-B



Available Accessories
- Folding Mat
- Aurora PVD Waste Kit

CENTRAL WORKSTATION COLLECTION

Quality sinks with all your essential accessories

FEATURES

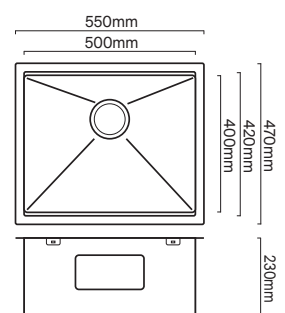
- Available in stainless steel
- Accessory ledge including compact HPL chopping board, colander, roller mat
- Double bowl drop bridge beneath accessories
- R10 Radius including top corner
- 1.2mm, 304 grade stainless steel
- Plate style seamless overflow
- Premium basket waste
- EN274 certified waste kit
- Mercer quality satin finish
- 25 Year limited warranty

Our new Central Workstation range features our high quality Mercer finish and a 10mm corner radius at the top making this range perfect for undermounting, top mounting or flush mounting.

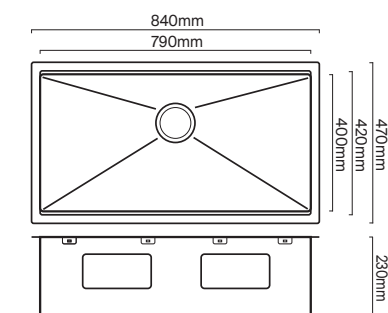
Complete with all the essential kitchen accessories, the Central Workstation range makes food prep easy. With a 20mm drop bridge between double bowls, accessories can slide freely between the bowls and larger dishes can be angled across both bowls.



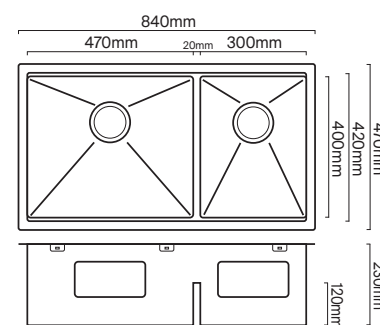
CWS50.42



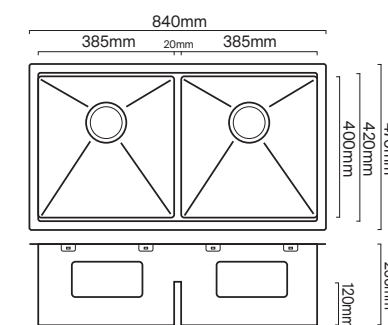
CWS79.42



CWS4730.42



CWS3838.42





MERCER AURORA SERIES

Make your sink a statement piece

FEATURES

- 1.2mm, 304 Grade stainless steel
- Satin finish
- Hand fabricated
- 10mm corner radius
- 90mm round basket waste
- Main bowl overflow
- 25mm flat flange
- Sink grid included
- 25 Year limited warranty

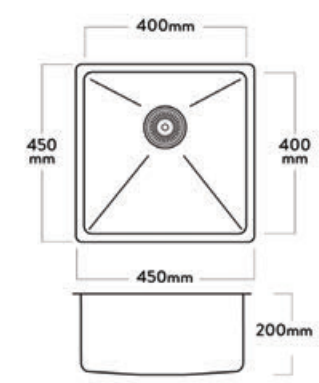
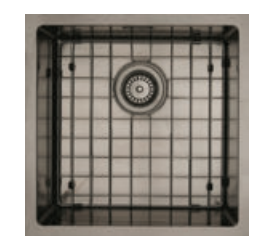
A stainless steel sink, the Aurora is coloured using one of the most environmentally friendly colouring processes.

Available in a range of four on-trend colours: black, gunmetal, copper and brass.



AURORA GUNMETAL 400

AA402

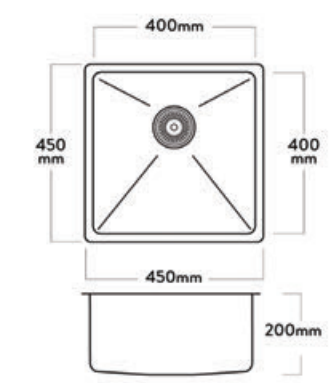


Available Accessories

- Colander
- Folding Mat
- Stainless Steel Waste Kit
- Drainer Tray

AURORA BRASS 400

AA403

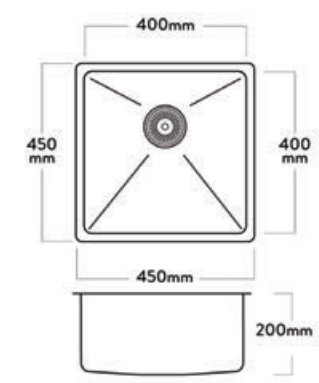
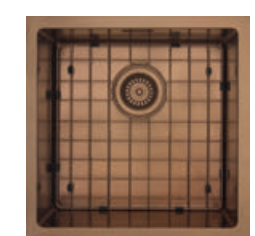


Available Accessories

- Colander
- Folding Mat
- Stainless Steel Waste Kit
- Drainer Tray

AURORA COPPER 400

AA404

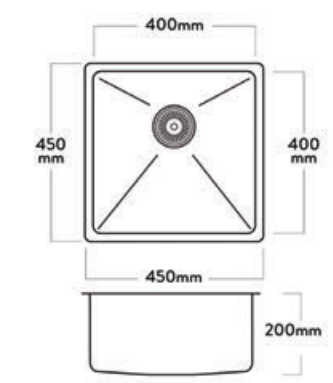
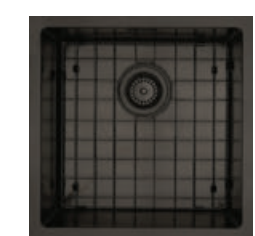


Available Accessories

- Colander
- Folding Mat
- Stainless Steel Waste Kit
- Drainer Tray

AURORA BLACK 400

AA405

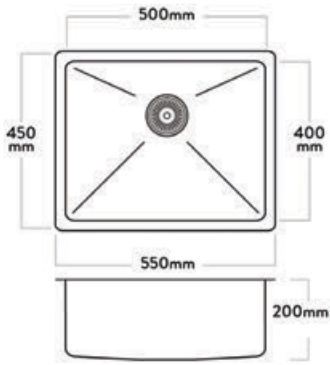
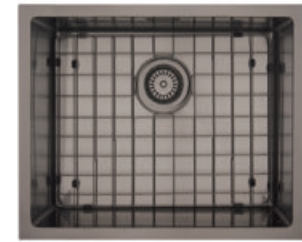


Available Accessories

- Colander
- Folding Mat
- Stainless Steel Waste Kit
- Drainer Tray

AURORA GUNMETAL 500

AA502

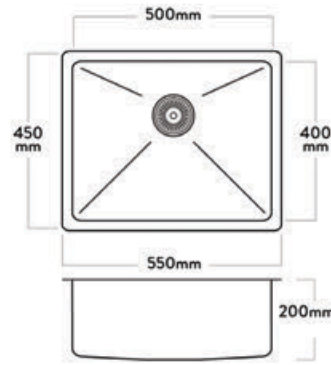


Available Accessories

- Colander
- Folding Mat
- Stainless Steel Waste Kit
- Drainer Tray

AURORA BRASS 500

AA503

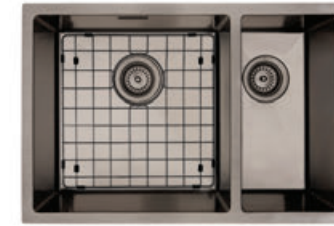


Available Accessories

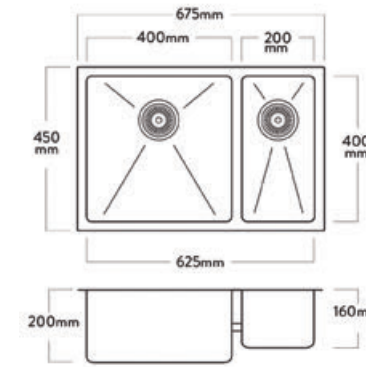
- Colander
- Folding Mat
- Stainless Steel Waste Kit
- Drainer Tray

AURORA GUNMETAL 600

AA602R



ALSO AVAILABLE:
AA602L



Available Accessories

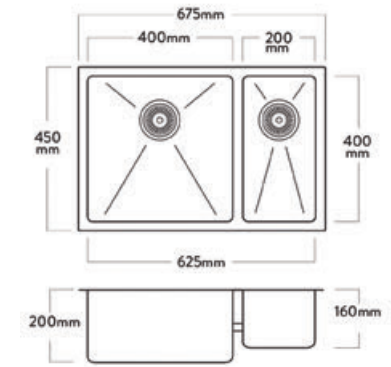
- Colander
- Folding Mat
- Stainless Steel Waste Kit
- Drainer Tray

AURORA BRASS 600

AA603R



ALSO AVAILABLE:
AA603L

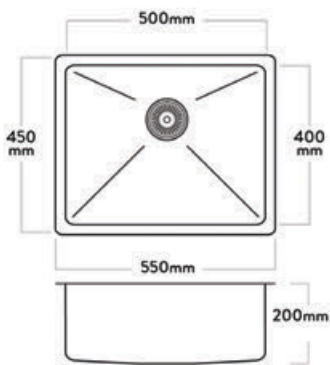
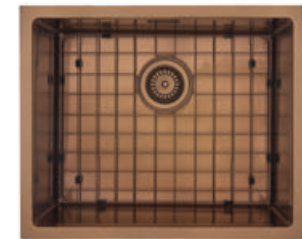


Available Accessories

- Colander
- Folding Mat
- Stainless Steel Waste Kit
- Drainer Tray

AURORA COPPER 500

AA504

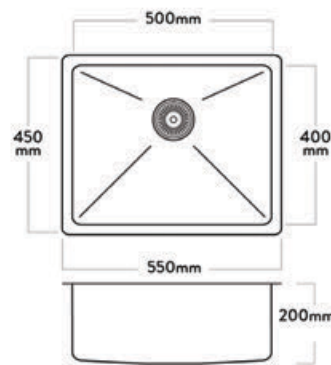
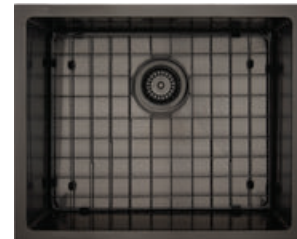


Available Accessories

- Colander
- Folding Mat
- Stainless Steel Waste Kit
- Drainer Tray

AURORA BLACK 500

AA505

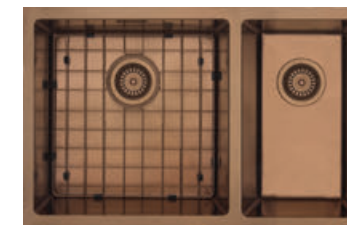


Available Accessories

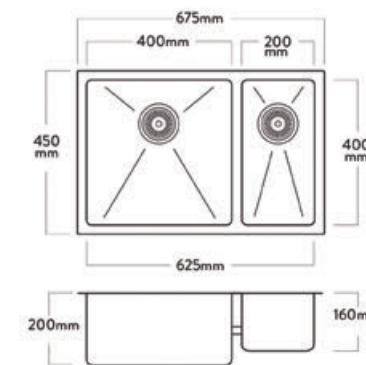
- Colander
- Folding Mat
- Stainless Steel Waste Kit
- Drainer Tray

AURORA COPPER 600

AA604R



ALSO AVAILABLE:
AA604L

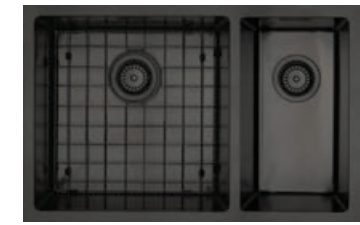


Available Accessories

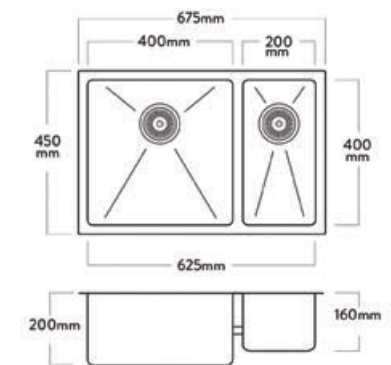
- Colander
- Folding Mat
- Stainless Steel Waste Kit
- Drainer Tray

AURORA BLACK 600

AA605R



ALSO AVAILABLE:
AA605L



Available Accessories

- Colander
- Folding Mat
- Stainless Steel Waste Kit
- Drainer Tray



MERCER ER SERIES



Think outside the box

FEATURES

- New Zealand made
- 0.9mm, 304 or 316 Grade stainless steel
- Silk finish
- Seamless pressed
- 15mm flat flange
- 25 Year warranty

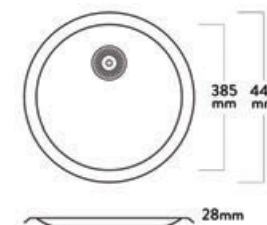
Does your project require something a little different?

A seamless pressed New Zealand made bowl, the ER Series is a perfect solution for a bar setup or on an island bench.



ER101 MILANO

ER101

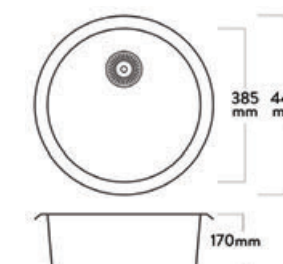


Available Accessories

- Dishrack
- Food Boards

ER102 VERONA

ER102



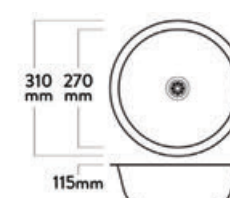
OPTIONAL 15 L/MIN OVERFLOW

Available Accessories

- Dishrack
- Food Boards

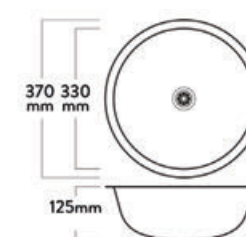
ER103 OTTO

ER103



ER105 VISO

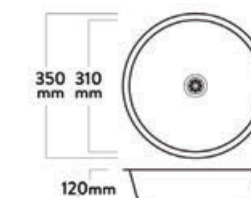
ER105



OPTIONAL 15 L/MIN OVERFLOW

ER104 NOVE

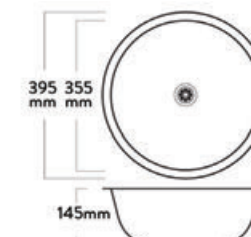
ER104



OPTIONAL 15 L/MIN OVERFLOW

ER106 ANELLO

ER106



OPTIONAL 15 L/MIN OVERFLOW



MERCER EVERGLADE SERIES

A modern look for a traditional style

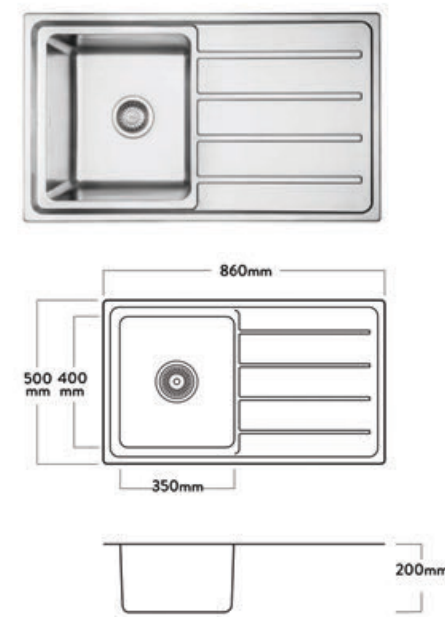
FEATURES

- 0.8mm, 304 Grade stainless steel
- Silk finish
- 25mm corner radius
- 90mm round basket waste
- Main bowl 15 l/min overflow
- Laser edge
- 25 Year warranty

Combining modern tight radius bowls inset into the clean lines of the drainer, the Everglade series provides the benefits of the traditional drainer and a modern design.



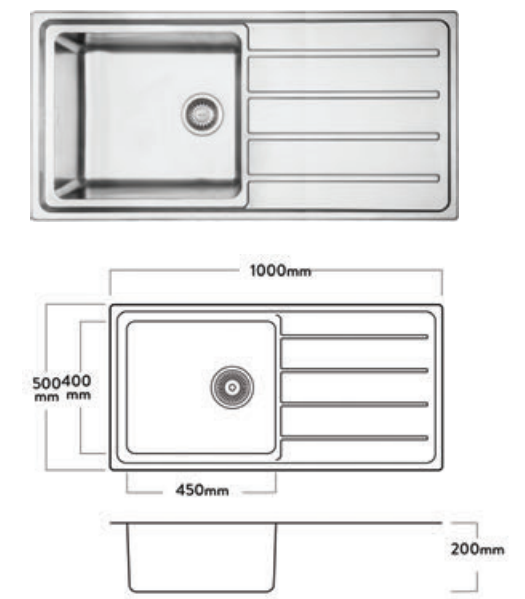
EE101 EVERGLADE
EE101



Available Accessories

- Colander
- Food Boards
- Folding Mat

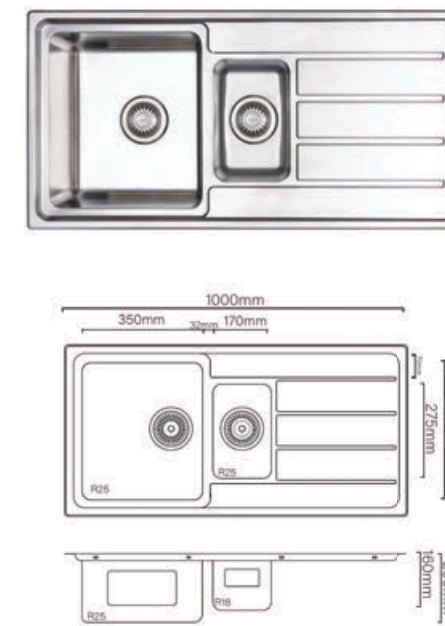
EE102 EVERGLADE
EE102



Available Accessories

- Colander
- Food Boards
- Folding Mat

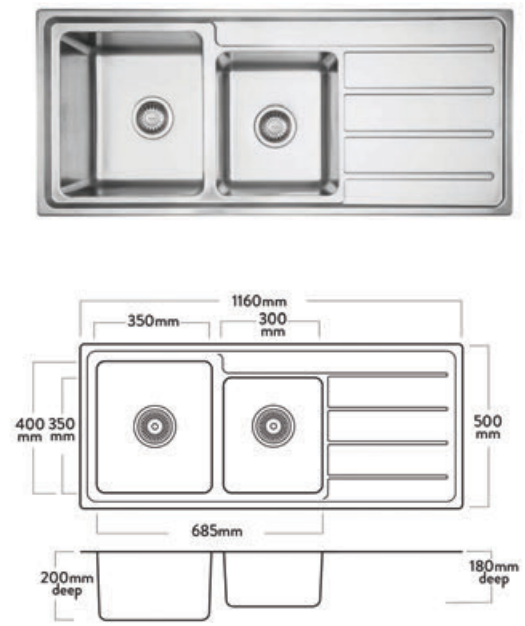
EE201 EVERGLADE
EE201



Available Accessories

- Colander
- Food Boards
- Folding Mat

EE202 EVERGLADE
EE202R



ALSO AVAILABLE:
EE202L

Available Accessories

- Colander
- Food Boards
- Folding Mat



MERCER URBAN SERIES

Bowl and drainer designed for New Zealand

FEATURES

Large 350 x 410mm bowls including 400 x 410mm

R60 corner radius

0.8mm, 304 grade stainless steel

Plate style designer overflow

Premium basket waste

EN274 certified waste kit

Laser edge

Mercer quality satin finish

Level area for tap on drainer

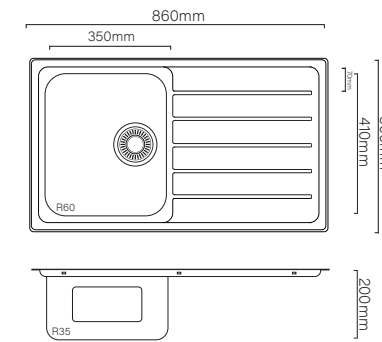
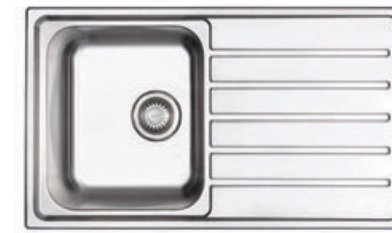
25 Year warranty

The Urban Series stainless steel sink range is a quality addition to your project. This range of sinks is reversible and comes with a true laser edge, making it easy to wipe into the sink and creating a straight flange perfect for top mounting.

The Urban Series offers modern square looking sink with large stainless steel bowls.

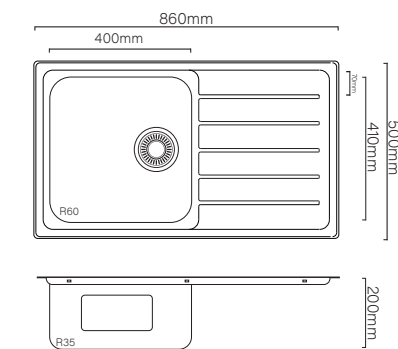


UBD35.41 URBAN



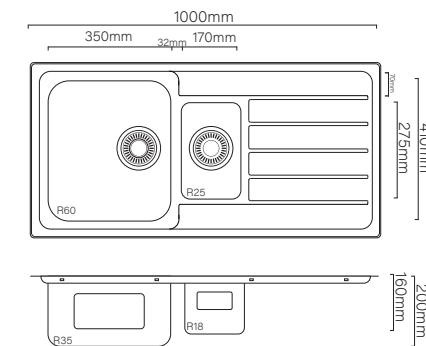
Available Accessories
- Dishrack

UBD40.41 URBAN



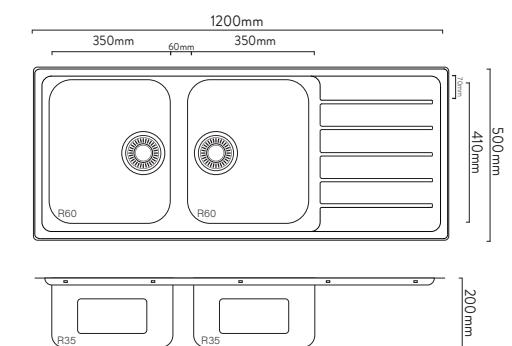
Available Accessories
- Dishrack

UBD3517.41 URBAN



Available Accessories
- Dishrack

UBD3535.41 URBAN



Available Accessories
- Dishrack



MERCER HORIZON SERIES

The traditional and affordable bowl with drainer

FEATURES

- 0.7mm, 304 Grade stainless steel
- Silk finish
- 90mm round basket waste
- Main bowl 15 l/min overflow
- Laser edge
- Reversible
- 25 Year warranty

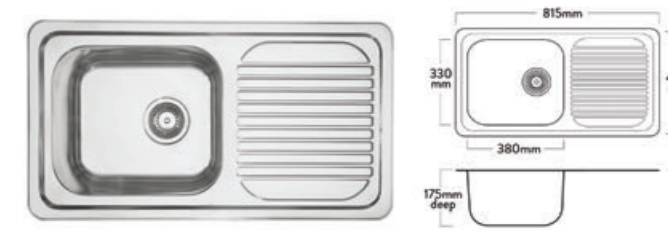
The Mercer EH Series is a classic stainless steel bowl and drainer range which is reversible and has an easy clean laser edge.

The Horizon Series is available in a range of configurations including a slimline model to suit narrow benchtops.



EH101 HORIZON 805

EH101

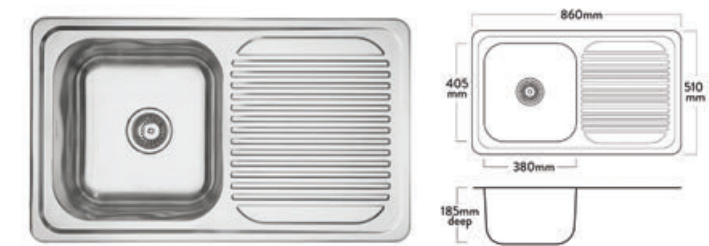


Available Accessories

- Dishrack

EH102 HORIZON 850

EH102

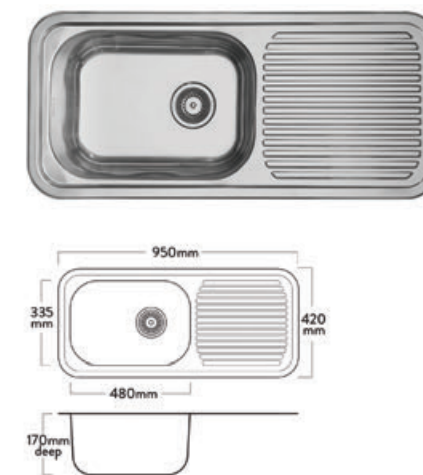


Available Accessories

- Dishrack
- Food Boards

EH103 HORIZON SLIMLINE

EH103

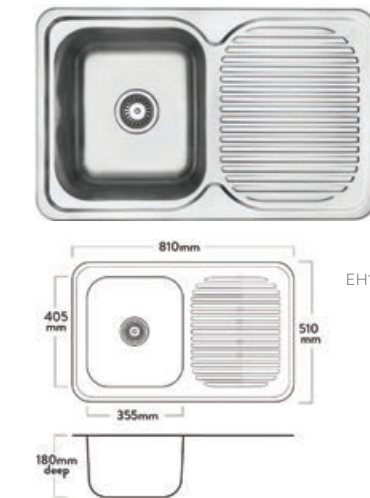


Available Accessories

- Colander
- Food Boards
- Dishrack

EH104 HORIZON 800

EH104



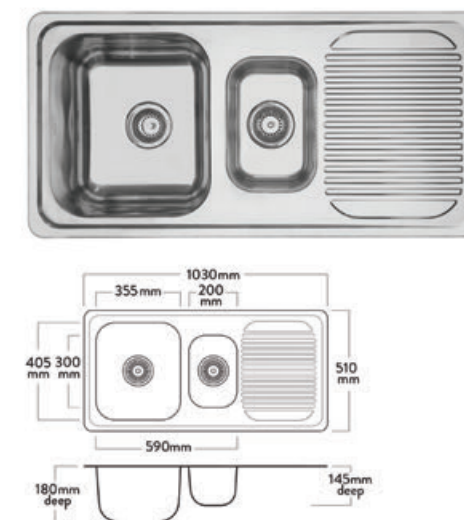
EH104 HORIZON 800 IS 0.6MM IN THICKNESS

Available Accessories

- Colander
- Food Boards
- Dishrack

EH201 HORIZON 1020

EH201

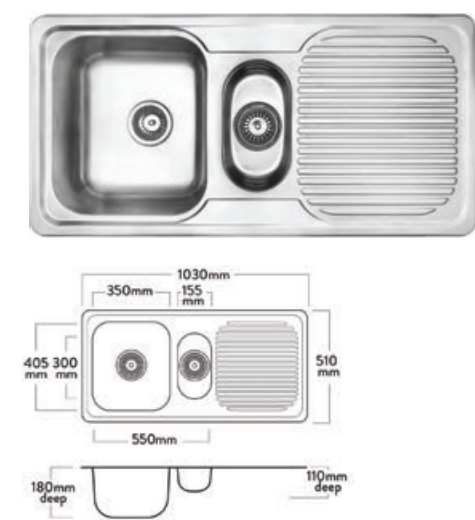


Available Accessories

- Colander
- Food Boards
- Dishrack

EH203 HORIZON 1020-600

EH203



Available Accessories

- Colander
- Food Boards
- Dishrack



LAUNDRY RANGE

Mercer EL Series

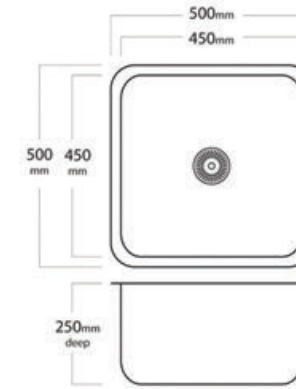
FEATURES

- 1.2mm, 304 or 316 Grade stainless steel
- Silk finish
- Seamless pressed
- 90mm basket waste
- Optional main bowl 15l/min overflow
- 25mm flat flange
- 25 Year warranty

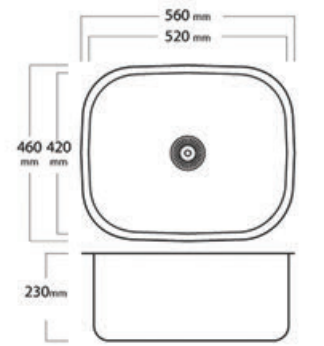
The Mercer EL Series has your laundry covered. With a range of functional bowls perfect for fitting buckets, washing larger items, or even giving the smaller sized four legged friend a bath there is a Mercer laundry sink to suit your space.



EL101 REMO
EL101

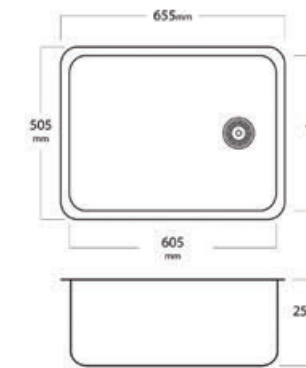


EL102 QUESTO
EL102

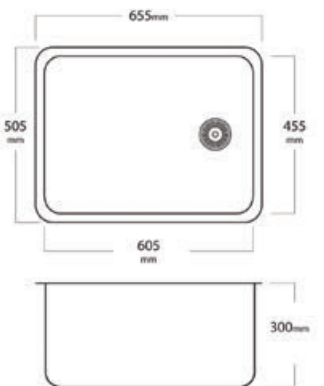


STANDARD COMES IN 0.8MM THICKNESS.
AVAILABLE IN 1.2MM THICKNESS IF ORDERED
AS 316 STAINLESS.

EL103 GRANDE
EL103



EL104 GRANDE MAX
EL104



PULITO

FEATURES

- 0.8mm, 304 Grade stainless steel
- Silk finish
- Seamless pressed
- 90mm basket waste
- Main bowl 15l/min overflow
- Laser edge
- 25 Year warranty

The Pulito is an affordable top mount laundry bowl with the traditional yet functional depth of 240mm.



EL107 PULITO
EL107

600



DV LAUNDRY BOWLS

FEATURES

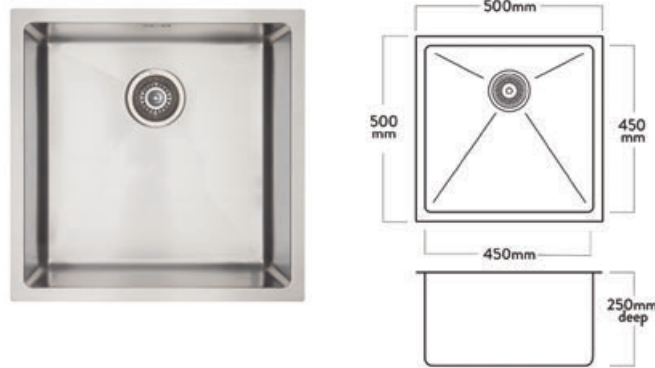
- 1.2mm, 304 Grade stainless steel
- Satin finish
- Hand fabricated
- 15mm corner radius
- 90mm basket waste
- Main bowl 15l/min overflow
- 25mm flat flange
- 25 Year warranty

The DV laundry range provides a modern alternative with a 15mm corner radius and satin finish to match your kitchen sink. The extra deep bowl provides all the functionality of a traditional laundry bowl.



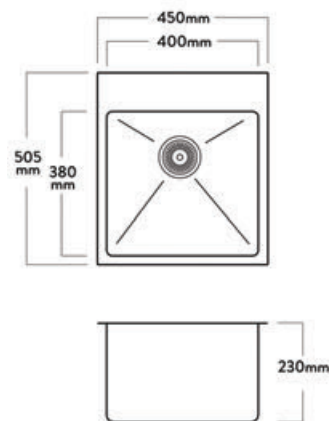
DV108 LOXLEY
DV108

510



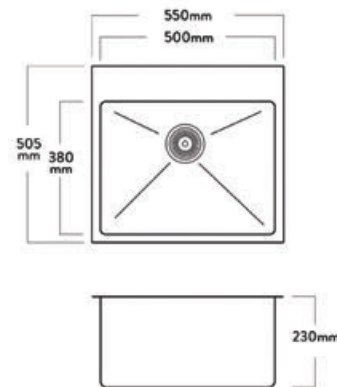
DV504 WARWICK
DV504

460



DV503 LEAMINGTON
DV503

560



STAINLESS STEEL BENCHING

Standard sizes or custom made to your needs

Our stainless steel benches have been a feature of New Zealand homes for decades. Whether you want to replace an existing bench or need a very affordable benchtop option, our standard benchtop ranges are enduringly popular.

From the narrow depth Classicline 500 series through to the Classicline 600 with drainer options, and our Styleline series, there's plenty of choice.

And if it's something custom you need for a residential or commercial project, our custom bench service will ensure you get the perfect solution.



CLASSICLINE 500 SERIES

CLASSICLINE 500 SERIES C2-500 Sink Bench Single Bowl

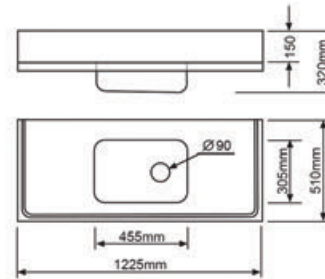


Features

- 1225 x 510mm, bowl 455 x 305 x 170mm, fascia 38mm
- New Zealand made
- Heavy duty 1.2mm, 304 grade stainless steel
- 90mm round waste outlet
- Overflow
- 150mm upstand
- Anti spill edge profile

Optional Extra

- Side Upstand



CLASSICLINE 500 SERIES C3-500 Sink Bench Single Bowl

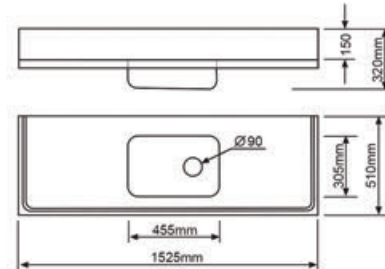


Features

- 1525 x 510mm, bowl 455 x 305 x 170mm, fascia 38mm
- New Zealand made
- Heavy duty 1.2mm, 304 grade stainless steel
- 90mm round waste outlet
- Overflow
- 150mm upstand
- Anti spill edge profile

Optional Extra

- Side Upstand



CLASSICLINE 500 SERIES C4-500 Sink Bench Single Bowl

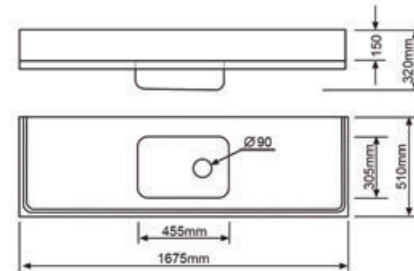


Features

- 1675 x 510mm, bowl 455 x 305 x 170mm, fascia 38mm
- New Zealand made
- Heavy duty 1.2mm, 304 grade stainless steel
- 90mm round waste outlet
- Overflow
- 150mm upstand
- Anti spill edge profile

Optional Extra

- Side Upstand



CLASSICLINE 500 SERIES C5-500 Sink Bench Single Bowl

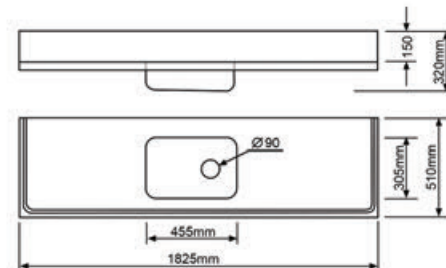


Features

- 1825 x 510mm, bowl 455 x 305 x 170mm, fascia 38mm
- New Zealand made
- Heavy duty 1.2mm, 304 grade stainless steel
- 90mm round waste outlet
- Overflow
- 150mm upstand
- Anti spill edge profile

Optional Extra

- Side Upstand



CLASSICLINE 600 SERIES

CLASSICLINE 600 SERIES C2-600 Sink Bench Single Bowl

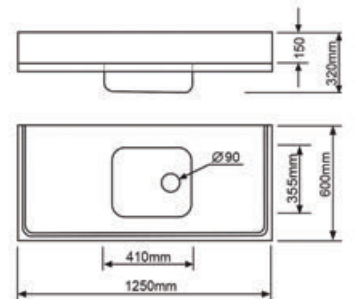


Features

- 1250 x 600mm, bowl 410 x 355 x 170mm, fascia 38mm
- New Zealand made
- Heavy duty 1.2mm, 304 grade stainless steel
- 90mm round waste outlet
- Overflow
- 150mm upstand
- Anti spill edge profile

Optional Extra

- Side Upstand



CLASSICLINE 600 SERIES C3-600 Sink Bench Single Bowl

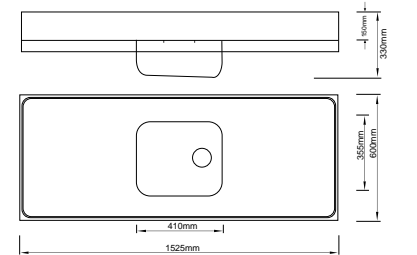


Features

- 1525 x 600, bowl 410 x 355 x 170mm, fascia 38mm
- New Zealand made
- Heavy duty 1.2mm, 304 grade stainless steel
- 90mm round waste outlet
- Overflow
- 150mm upstand
- Anti spill edge profile

Optional Extra

- Side Upstand



CLASSICLINE 600 SERIES C4-600 Sink Bench Single Bowl

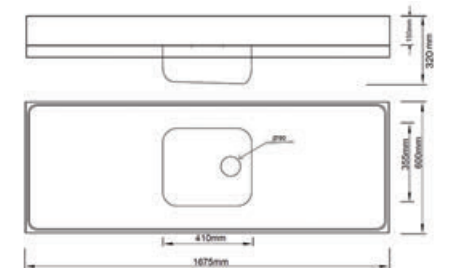


Features

- 1675 x 600mm, bowl 410 x 355 x 170mm, fascia 38mm
- New Zealand made
- Heavy duty 1.2mm, 304 grade stainless steel
- 90mm round waste outlet
- Overflow
- 150mm upstand
- Anti spill edge profile

Optional Extra

- Side Upstand



CLASSICLINE 600 SERIES C5-600 Sink Bench Single Bowl

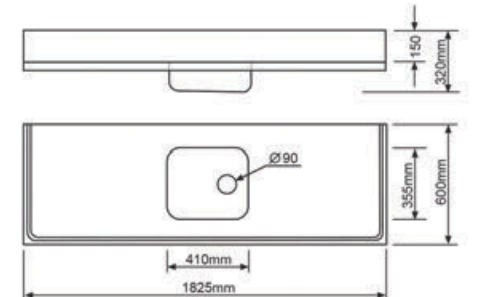


Features

- 1825 x 600mm, bowl 410 x 355 x 170mm, fascia 38mm
- New Zealand made
- Heavy duty 1.2mm, 304 grade stainless steel
- 90mm round waste outlet
- Overflow
- 150mm upstand
- Anti spill edge profile

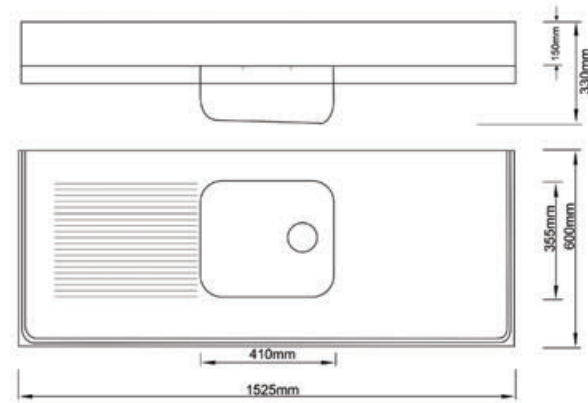
Optional Extra

- Side Upstand



CLASSICLINE DRAINER SERIES

CLASSICLINE 600 DRAINER SERIES C3-600-DL Sink Bench Single Bowl



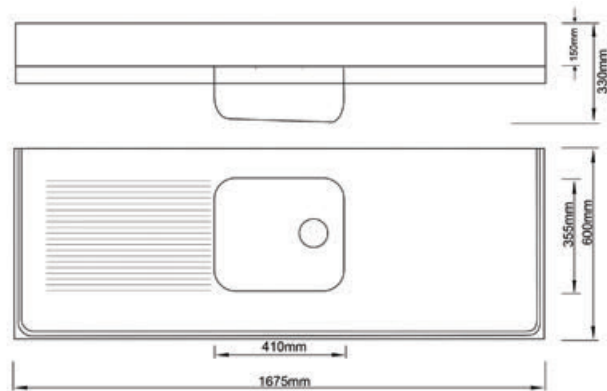
Features

- 1525 x 600mm, bowl 410 x 335 x 170mm,
- fascia 38mm
- New Zealand made
- Heavy duty 1.2mm, 304 grade stainless steel
- 90mm round waste outlet
- Overflow
- 150mm upstand
- Anti spill edge profile
- Pressed Drainer on left

Optional Extra

- Side Upstand

CLASSICLINE 600 DRAINER SERIES C4-600-DL Sink Bench Single Bowl



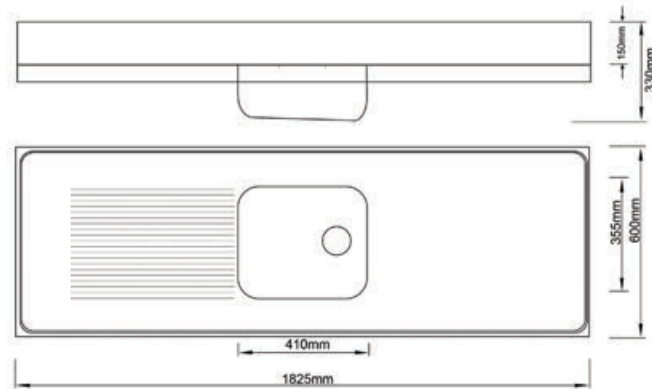
Features

- 1675 x 600mm, bowl 410 x 335 x 170mm,
- fascia 38mm
- New Zealand made
- Heavy duty 1.2mm, 304 grade stainless steel
- 90mm round waste outlet
- Overflow
- 150mm upstand
- Anti spill edge profile
- Pressed Drainer on left

Optional Extra

- Side Upstand

CLASSICLINE 600 DRAINER SERIES C5-600-DL Sink Bench Single Bowl



Features

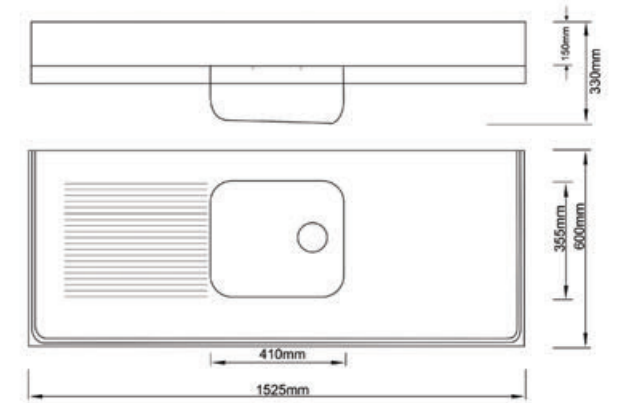
- 1825 x 600mm, bowl 410 x 335 x 170mm,
- fascia 38mm
- New Zealand made
- Heavy duty 1.2mm, 304 grade stainless steel
- 90mm round waste outlet
- Overflow
- 150mm upstand
- Anti spill edge profile
- Pressed Drainer on left

Optional Extra

- Side Upstand

DRAINER WITH BOX STAND SERIES

CLASSICLINE 600 DRAINER SERIES C3-600-DL-BU Sink Bench Single Bowl



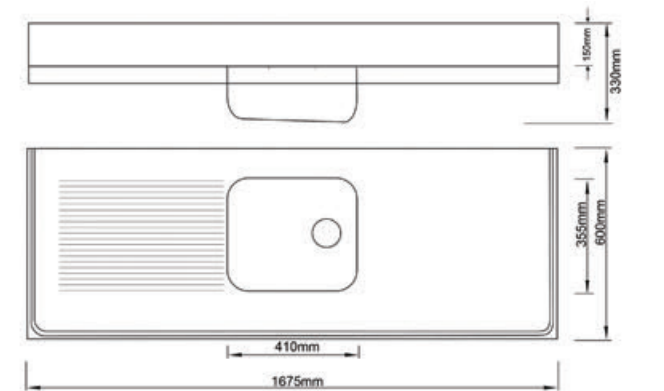
Features

- 1525 x 600mm, bowl 410 x 335 x 170mm,
- fascia 38mm
- New Zealand made
- Heavy duty 1.2mm, 304 grade stainless steel
- 90mm round waste outlet
- Overflow
- 150mm upstand
- Anti spill edge profile
- Pressed Drainer on left
- 20mm boxed upstand

Optional Extra

- Side Upstand

CLASSICLINE 600 DRAINER SERIES C4-600-DL-BU Sink Bench Single Bowl



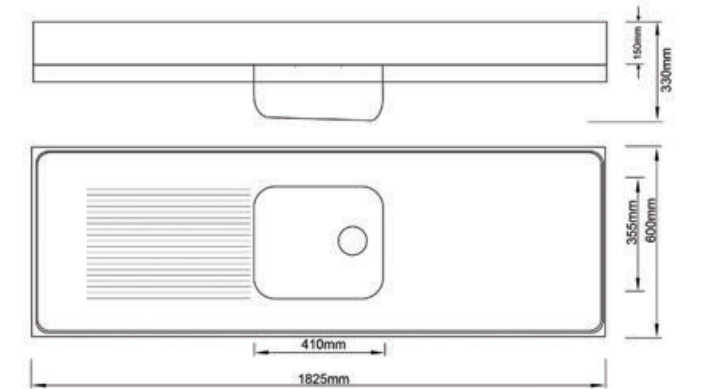
Features

- 1675 x 600mm, bowl 410 x 335 x 170mm,
- fascia 38mm
- New Zealand made
- Heavy duty 1.2mm, 304 grade stainless steel
- 90mm round waste outlet
- Overflow
- 150mm upstand
- Anti spill edge profile
- Pressed Drainer on left
- 20mm boxed upstand

Optional Extra

- Side Upstand

CLASSICLINE 600 DRAINER SERIES C5-600-DL-BU Sink Bench Single Bowl



Features

- 1825 x 600mm, bowl 410 x 335 x 170mm,
- fascia 38mm
- New Zealand made
- Heavy duty 1.2mm, 304 grade stainless steel
- 90mm round waste outlet
- Overflow
- 150mm upstand
- Anti spill edge profile
- Pressed Drainer on left
- 20mm boxed upstand

Optional Extra

- Side Upstand

CUSTOM MADE BENCHING

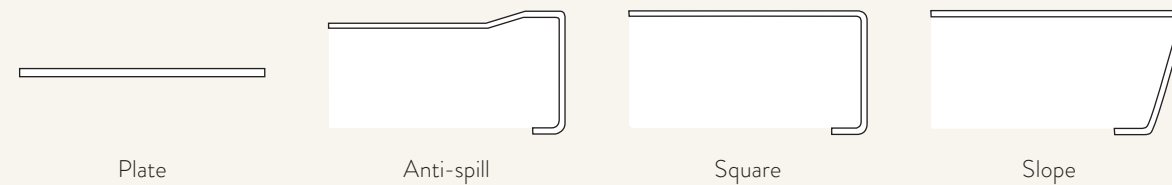
Standard sizes or custom-made to your needs.

Acero are leaders in the fabrication of custom stainless steel benches.

Stainless steel allows you to create a bench that is durable and hygienic while maintaining a timeless and classic style. Whether it's a kitchen benchtop or a custom commercial project, our experience and first rate craftsmanship means that we can help bring your vision to life.

Acero stainless steel benches are custom made in New Zealand with a range of thicknesses and grades to suit your requirements. For applications that require extra corrosion protection, 316 grade stainless steel is available on request.

1. Choose your profile



2. Choose your substrate thickness



3. Choose your finish



Note, the Satin finish is the same as the Mercer DV Series sink range.

4. Choose your sink

You can choose from a wide range of Mercer sinks to incorporate into your benchtop design. Sinks that can be used in our custom benches are shown with a "Weld In" icon.

Contact our customer services team for more information and quotes.



TAPS & ACCESSORIES

Add functionality to your kitchen with a range of accessories

Our range of sinkware accessories are custom made to suit our range of Mercer sinks.

Made from top quality materials, our accessories add functionality to any kitchen – our wooden food boards fit snugly on to a range of our sinks to give you more bench space for food prep as well as making for a stylish serving board.

Our range of dish racks, drainer trays and colanders make food prep and clean up a breeze.

MERCER GOOSENECK MIXERS



Stainless - AM021 Gunmetal - AM023 Black - AM022 Copper - AM025 Brass - AM027

MERCER GOOSENECK PULLOUT MIXERS



Stainless - AM011 Gunmetal - AM013 Black - AM012 Copper - AM015 Brass - AM017

MERCER L-SHAPE PULLOUT



Stainless - AM041

Gunmetal - AM043

Black - AM042

Copper - AM045

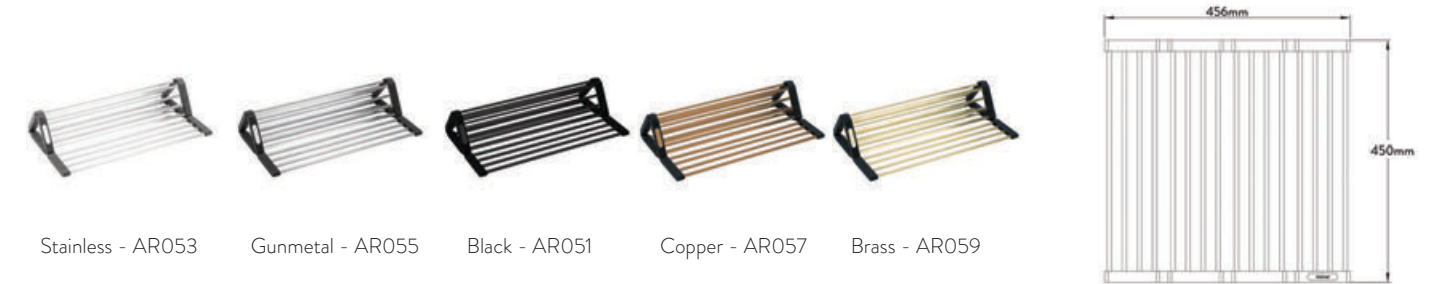
Brass - AM043

MERCER LOTION DISPENSERS



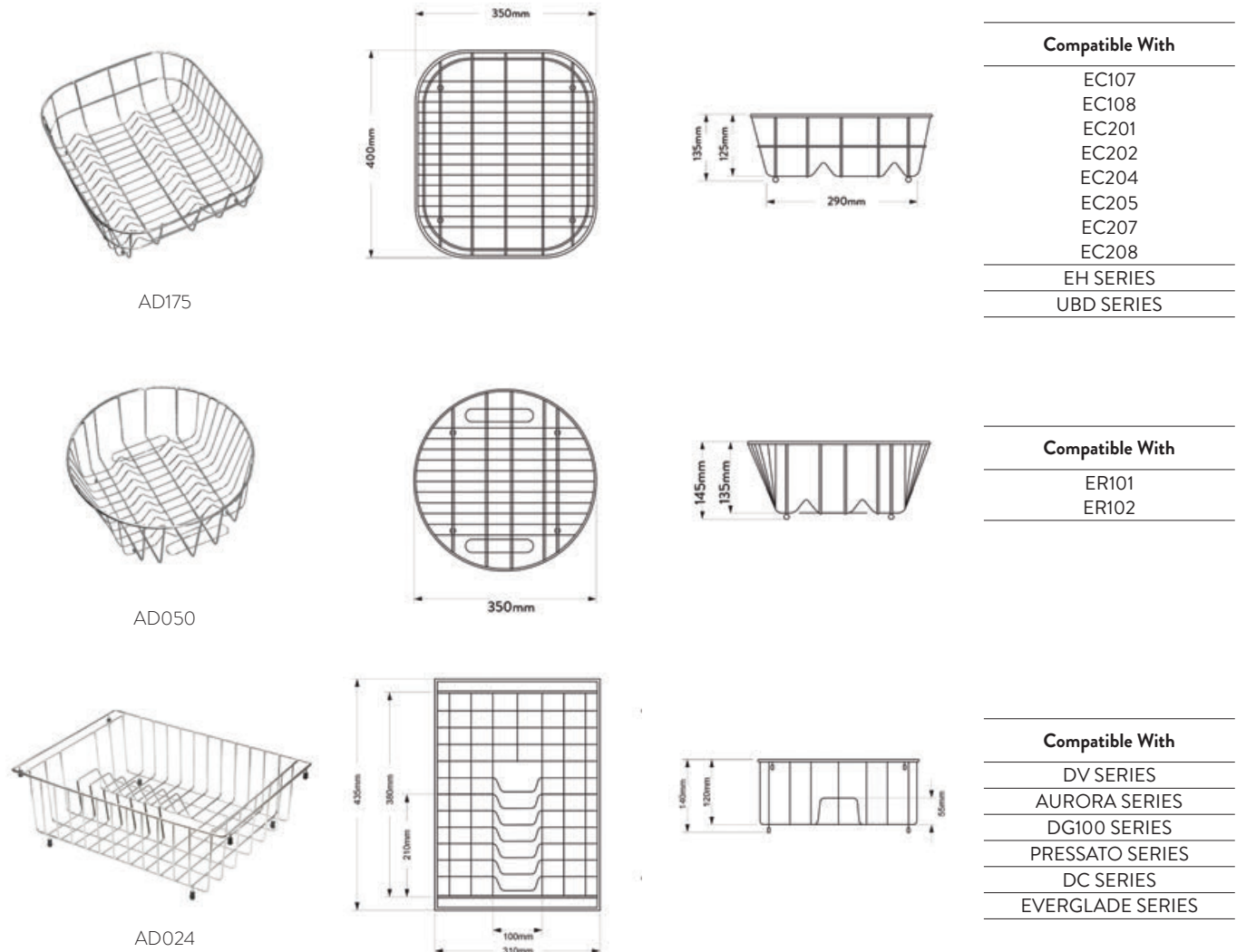
Stainless - AL041 Gunmetal - AL043 Black - AL049 Copper - AL047 Brass - AL045

MERCER FOLDING MATS



Stainless - AR053 Gunmetal - AR055 Black - AR051 Copper - AR057 Brass - AR059

MERCER DISHRACKS



AD175

AD050

AD024

Compatible With

- EC107
- EC108
- EC201
- EC202
- EC204
- EC205
- EC207
- EC208

EH SERIES

UBD SERIES

Compatible With

- ER101
- ER102

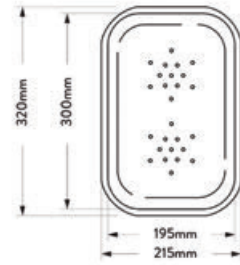
Compatible With

- DV SERIES
- AURORA SERIES
- DG100 SERIES
- PRESSATO SERIES
- DC SERIES
- EVERGLADE SERIES

MERCER COLANDERS



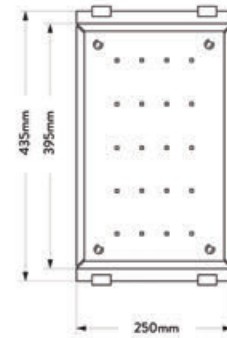
AC036



Compatible With
EH201



AC050



Compatible With
DV SERIES
AURORA SERIES
DG100 SERIES
PRESSATO SERIES
DC SERIES
EVERGLADE SERIES



Stainless - AC407



Gunmetal - AC401



Black - AC409

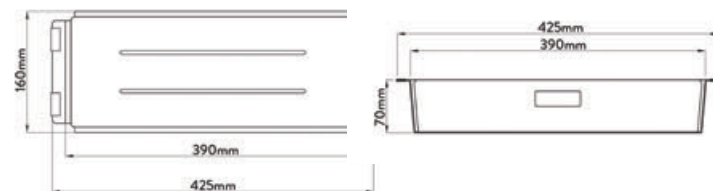


Copper - AC403



Brass - AC405

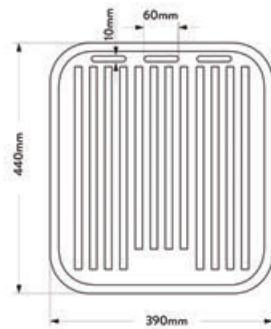
Compatible With
DV SERIES
AURORA SERIES
DG100 SERIES
PRESSATO SERIES
DC SERIES
EVERGLADE SERIES



MERCER DRAINING TRAYS



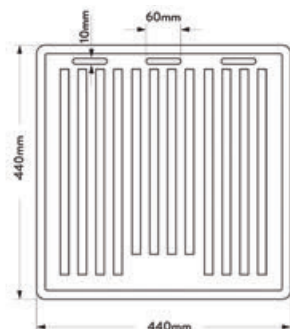
AT032



Compatible With
EC107
EC108
EC201
EC202
EC204
EC205
EC207
EC208



AT130



Compatible With
DC SERIES

MERCER DRAINING TRAYS - CONTINUED



Stainless - AT021



Gunmetal - AT023



Black - AT029

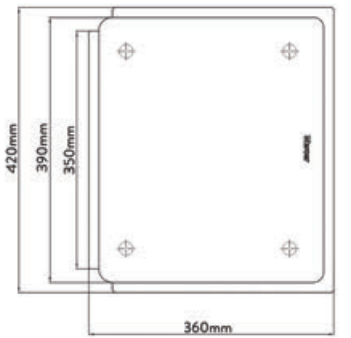


Copper - AT025



Brass - AT027

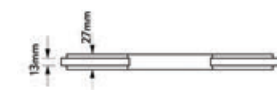
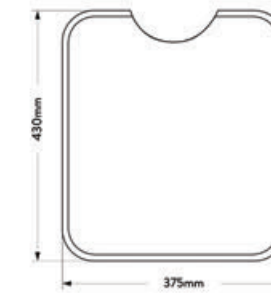
Compatible With
DV SERIES
AURORA SERIES
DG100 SERIES
PRESSATO SERIES
DC SERIES



MERCER CHOPPING BOARDS



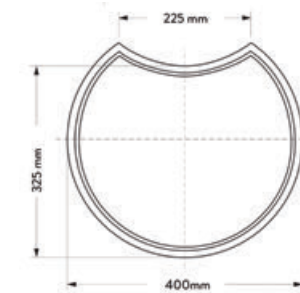
AF018



Compatible With
EC107
EC108
EC201
EC202
EC204
EC205
EC207
EC208



AF151



Compatible With
ER101
ER102



AF143



Compatible With
DV SERIES
AURORA SERIES
DG100 SERIES
PRESSATO SERIES
DC SERIES
EVERGLADE SERIES

MERCER COLOURED STAINLESS STEEL WASTE KITS 90MM - NO OVERFLOW

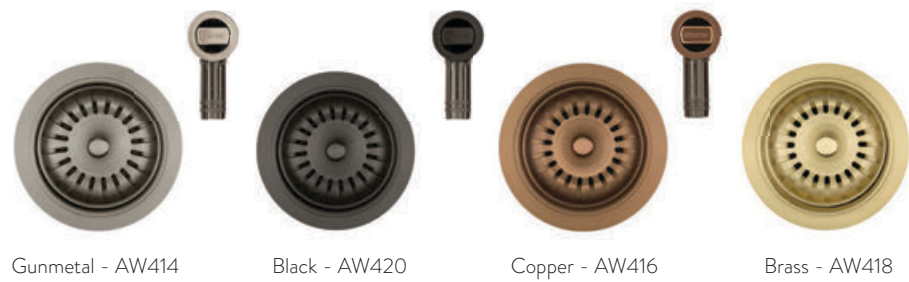


Gunmetal - AW423 Black - AW429 Copper - AW425 Brass - AW427

Compatible with
Duro Granite
(secondary bowls)
and DB201 Butler sink x 2

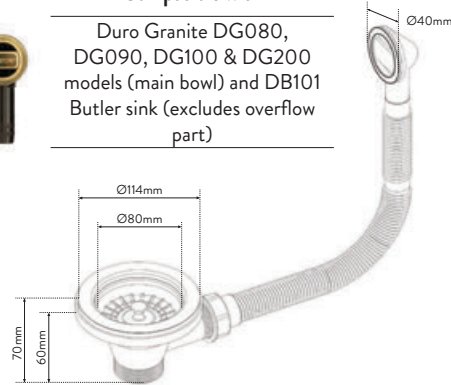


MERCER COLOURED STAINLESS STEEL WASTE KITS 90MM - ROUND OVERFLOW

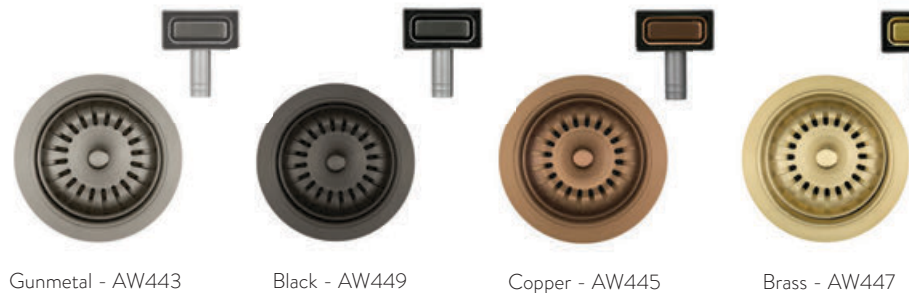


Gunmetal - AW414 Black - AW420 Copper - AW416 Brass - AW418

Compatible with
Duro Granite DG080,
DG090, DG100 & DG200
models (main bowl) and DB101
Butler sink (excludes overflow
part)

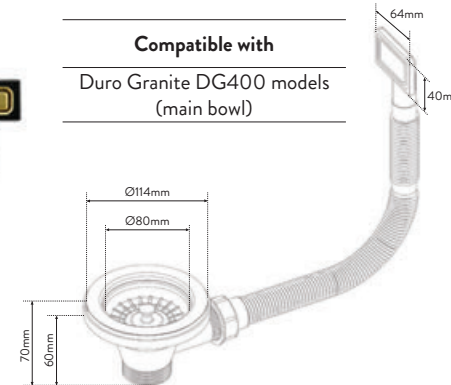


MERCER COLOURED STAINLESS STEEL WASTE KITS 90MM - DG400 OVERFLOW

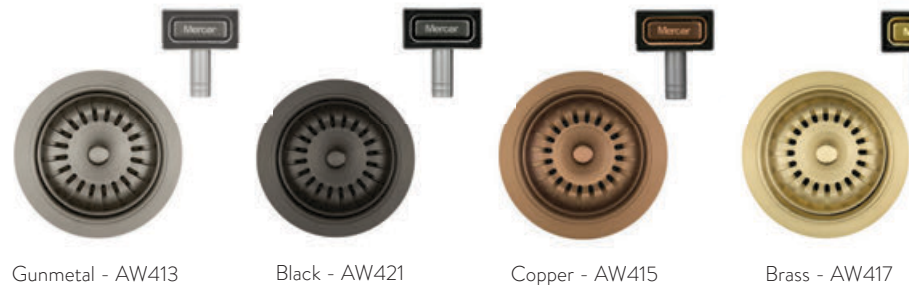


Gunmetal - AW443 Black - AW449 Copper - AW445 Brass - AW447

Compatible with
Duro Granite DG400 models
(main bowl)

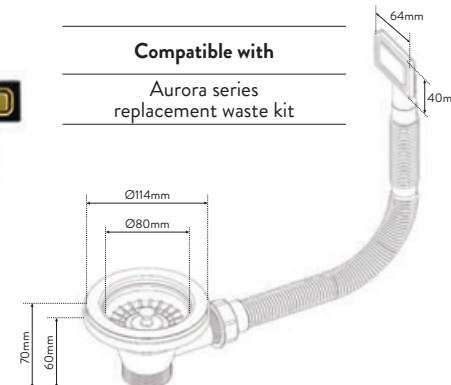


MERCER COLOURED STAINLESS STEEL WASTE KITS 90MM - PLATE OVERFLOW



Gunmetal - AW413 Black - AW421 Copper - AW415 Brass - AW417

Compatible with
Aurora series
replacement waste kit



**DRI SEAL
BENCHTOP PROTECTION**



The DriSeal is used to protect your benchtop from water damage by creating a barrier to spills and leaks around the tap. It is an affordable and practical way to protect your benchtop surface from water damage.

- Suitable for most mixer brands
- Durable chrome plated brass
- Highly recommend for laminate benchtops

DriSeals are available with a square or round flange.
Round - AW051
Internal hole = 33mm

SPACE SAVER WASTE

A space saver waste is a great way to maximise cabinet space under your sink.

The Space Saver waste system directs plumbing to the rear of the cabinet to ensure you can make the most of your storage space. A great accessory for apartments, small kitchens or where maximum cabinet space is required.

- Seamless integration with Mercer sinkware range
- Durable plastic construction
- Easy installation

Space Saver waste - AW305



Overall height = 100mm

PRODUCT CARE & WARRANTY

Ceramic Butler Sinks

A soft, damp, soapy cloth is all that's usually required to clean your ceramic sink.

Metallic abrasions from pots, woks and cutlery and stains from fruit juices and tea can generally be wiped off using a scouring liquid and soft cloth. Problem spots can be treated with methylated spirits and rinsed using warm soapy water and a soft cloth.

Warm vinegar can treat lime scale. Soak the area for 20 minutes, rinse well with warm water and finish off with warm soapy water and a soft cloth. More than one application may be required.

Avoid using cleaners containing solvents like formic acid or citric acid. Never spray oven cleaner or use a drain cleaner directly onto the surface of the sink.

Never place anything hot directly onto the surface of the sink as a white bloom could result from the heat.

Cracking and crazing

While fireclay is a very tough material, it's still more prone to cracking than other sink materials like granite composite.

A very small number of users report issues with "crazing," which is when the enamel develops hairline cracks. Crazing is usually just a cosmetic issue but is not repairable.

Common causes of crazing include uneven installation, over tightening the plumbing fittings or thermal shock which is more common in colder climates. Avoid pouring boiling water directly into the sink and never place a pot directly from the stove into the sink.

Stainless Steel Sinks

After use, your stainless steel sinkware should be wiped down using a soft, damp, soapy cloth and then thoroughly rinsed off and dried. Please note that "hard water" can cause a build-up of a "greyish" film on the steel causing a discoloration. Use a mild abrasive creme to remove hard water marks.

Wire wool and abrasive cleaners should be avoided. Steel wool can leave minute particles of wire on the surface of the sinkware, which can develop into rust marks. Always remove damp sponges, brushes and cloths from the sink to avoid water marks.

Home cleaning aids such as bleaches contain hypo chlorides can damage stainless steel. They should be washed off with citric fluid or limonene as quickly as possible and the surface dried as above.

These should also not be stored in the cabinet under your sink. Corrosive vapours can leach out and damage the stainless steel. Fruit juices, damp salt, vinegar or any other acidic food can also cause damage to the surface if left in contact with the stainless steel.

Also, a reminder that abrasive cleaners, chemicals used to unblock drains, silver dip clean can also damage the surface.

Aurora Sinks & Tapware PVD Coloured Stainless Steel

You should maintain your Aurora coloured stainless steel sink like you would any stainless steel sink as per above. The only other cleaners to be avoided are those with a cutting compound e.g. Autosol, Chemico Paste and the Mercer sink care pack as these will damage the PVD layer with continuous use.

The PVD layer provides extra protection from scratching and chemicals but like standard stainless steel, your Aurora sink should be maintained as per above instructions. If you live in an area with "hard water", the grey film that can occur will be more noticeable on a coloured stainless steel sink.

While our Aurora PVD sink look great in the laundry, some chemicals may affect the PVD coating. We recommend soaking items in a bucket rather than the sink to avoid any issues.

Duro Granite Sinks

Cleaning your Duro Granite sink is easy and uncomplicated. A little water, a scouring sponge and some washing-up liquid is all you need to remove stains, greasy marks and the usual signs of wear.

Use a microfibre cloth to wipe your Duro-Granite sink dry after every use. This prevents lime scale marks, and will make sure your sink retains its good looks for a long time to come.

Use white vinegar to deep clean your Duro-Granite sink and remove even stubborn lime scale deposits.

Be careful not to place hot items onto your Duro Granite sink. While the material is rated to 250°C, some items may exceed this if cooking with induction.

Warranty

Acero offers a limited warranty on all of its Acero and Mercer products. For information on product care and warranties visit our website at acero.co.nz