

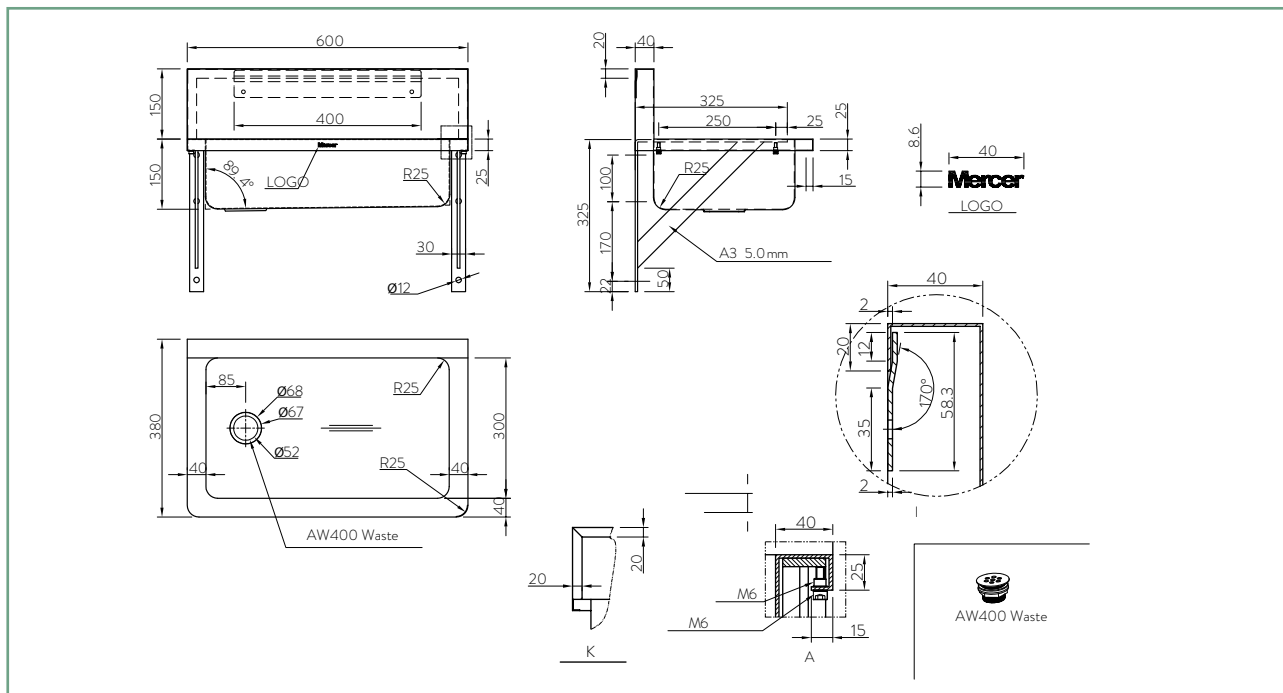
WTB600L WASH TROUGH 600MM

The Mercer WT Series 600mm Wash Trough is made from heavy duty 304 stainless steel.

The WT wash trough has radius internal corners for easy cleaning as well as radius external corners for safety.

The unit is supplied with a 40mm waste and heavy-duty wall brackets for mounting.

The WT Series is available in a range of sizes from 600 – 2100mm.



SPECIFICATIONS

Code: WTB600L

Type: Wash Trough

Dimensions: 600 x 380 x 300mm

Material: 1.2mm 304 Stainless steel

Finish: Satin

FEATURES

Radius internal corners

Radius external corners

Left hand waste position

40mm flat waste

Wall mounting brackets

OPTIONS

Tap holes through upstand

ASSOCIATED PRODUCTS



AS35300/BCR
Nobili Wall Mount
Times Button Tap



PTDSS1
Paper Towel
Dispenser



RBSS1
Stainless Steel
Rubbish Bin



WMSS1
Stainless Steel
Wall Mirror