

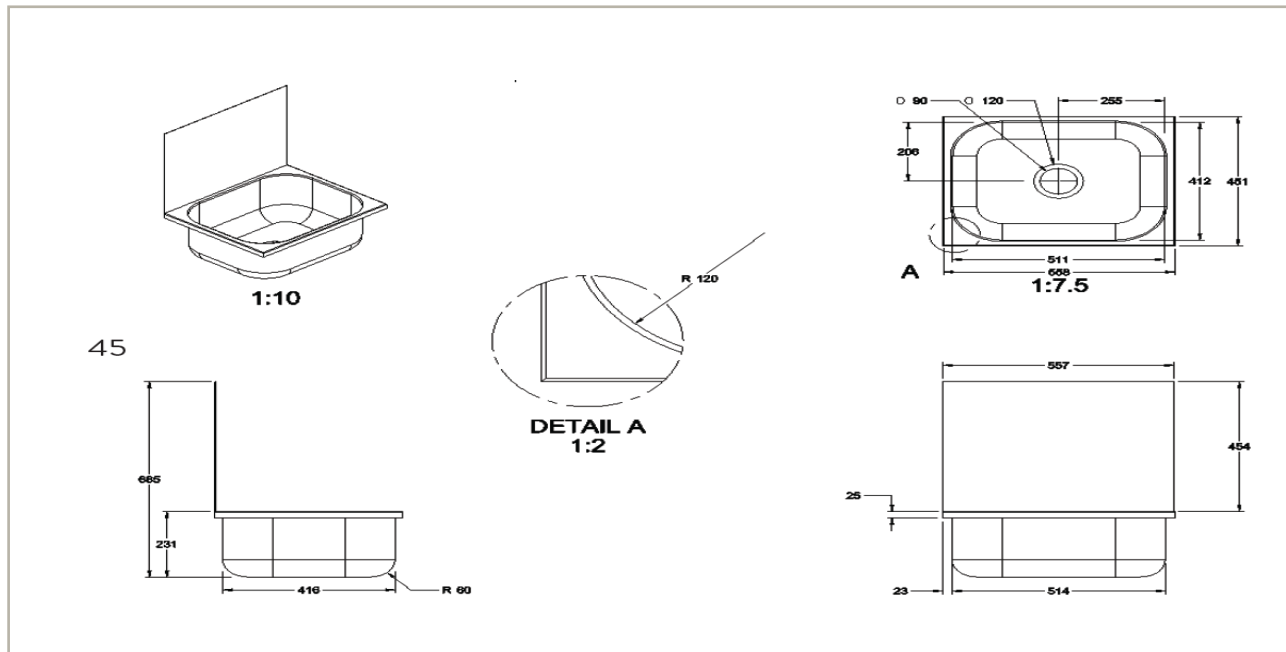
XL CLEANER SINK WITH SIDE UPSTAND

The XL stainless steel cleaner sink is made in NZ from 0.8mm, 304 Grade stainless steel.

Cleaner sinks can be ordered in a number of configurations which include providing an optional bucket grid with the sink, having the upstand on the left and/ or right hand side and manufacturing the unit with or without an overflow.

The XL cleaner sink comes standard with 90mm waste, rear upstand and wall mounting brackets.

Optional extras and configurations to be specified when ordered include bucket grid, overflow and upstand placement.



SPECIFICATIONS

Code: XL

Bowl Size: 520 x 420 x 230mm

Overall Size: 560 x 450 x 230mm

Bowl Capacity: 45L

Material: Stainless Steel

FEATURES

Optional overflow configuration

90mm round stainless steel waste outlets

Brackets included

450mm side and back upstand

Bucket grid and replacement brackets are optional